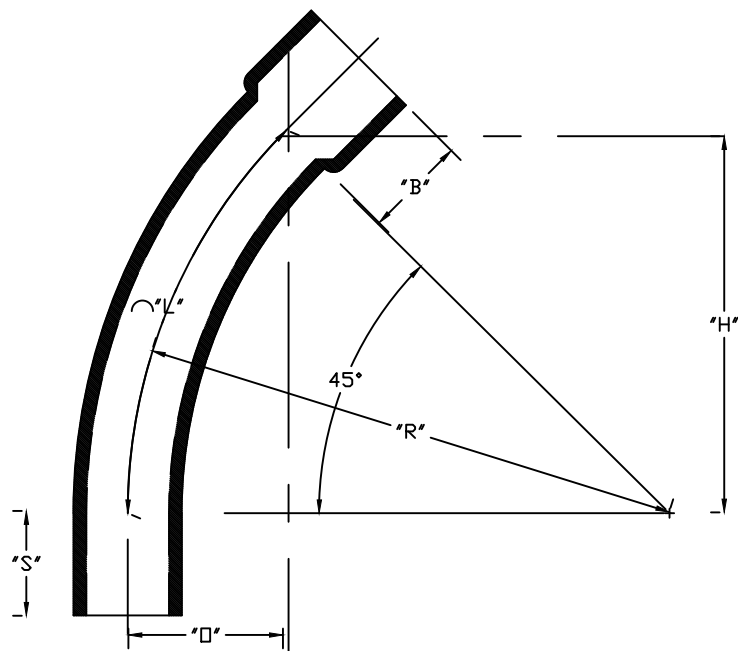


PART NUMBER	SIZE	"R"	"O"	"H"	"S" MIN	"B" MIN	"L"
5233763	½"	4"	1 ⅜"	2 13/16"	1 ½"	1 ¼"	3 ⅛"
5233764	¾"	4 ½"	1 ⅝"	3 ⅜"	1 ½"	¾"	3 ½"
5233765	1"	5 ¾"	1 11/16"	4 ½"	1 7/8"	7/8"	4 ½"
5233766	1 ¼"	7 ¼"	2 ⅛"	5 ⅛"	2"	1"	5 11/16"
5233767	1 ½"	8 ¼"	2 7/16"	5 13/16"	2"	1 ½"	6 ½"
5233768	2"	9 ½"	2 13/16"	6 ¾"	2"	1 ⅛"	7 ½"
5233769	2 ½"	10 ½"	3 ¼"	7 7/16"	3"	1 ½"	8 ¼"
5233770	3"	13"	3 13/16"	9 ¾"	3 ½"	1 5/8"	10 3/16"
5233771	3 ½"	15"	4 3/8"	10 5/8"	3 ¼"	1 11/16"	11 13/16"
5233772	4"	16"	4 11/16"	11 3/16"	3 3/8"	1 ¾"	12 9/16"
5233773	5"	24"	7"	17"	3 5/8"	2"	18 7/8"
5233774	6"	30"	8 7/8"	21 ¼"	3 ¾"	2 ⅛"	23 9/16"
5233836	8"	48"	14"	33 15/16"	6 5/8"	4 7/8"	37 11/16"



2" & greater are CSA Listed.



ETL LISTED  
 CONFORMS TO UL651  
 ETL CONTROL #3107144  
 CONFORMS TO NEMA TC3  
 SEE NEC ARTICLE 352 FOR USE  
 MATERIAL IS RIGID PVC  
 BEND TOLERANCE IS ±2°



**CANTEX**  
 INC.  
 Fort Worth, TEXAS

45° Elbows Bell End  
 Schedule 40 Standard Radius Elbows

Drawn By: CD Branch      Date: 4/30/26      Ref.