



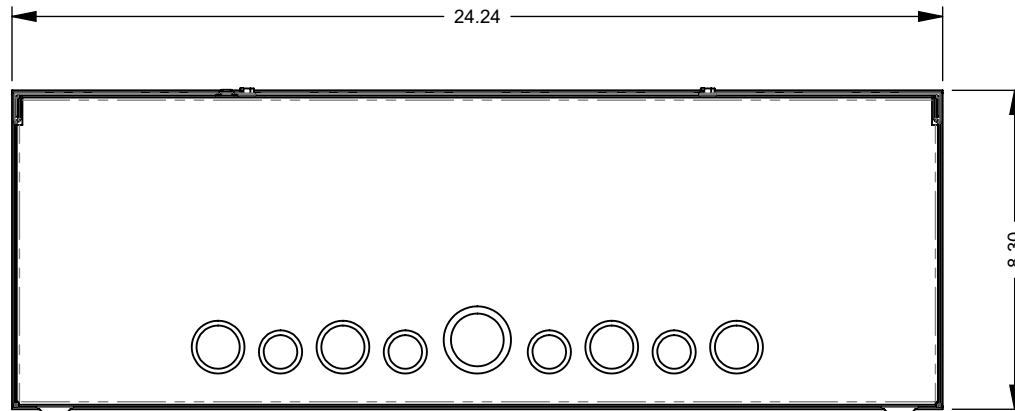
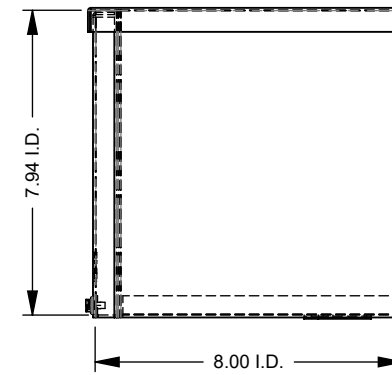
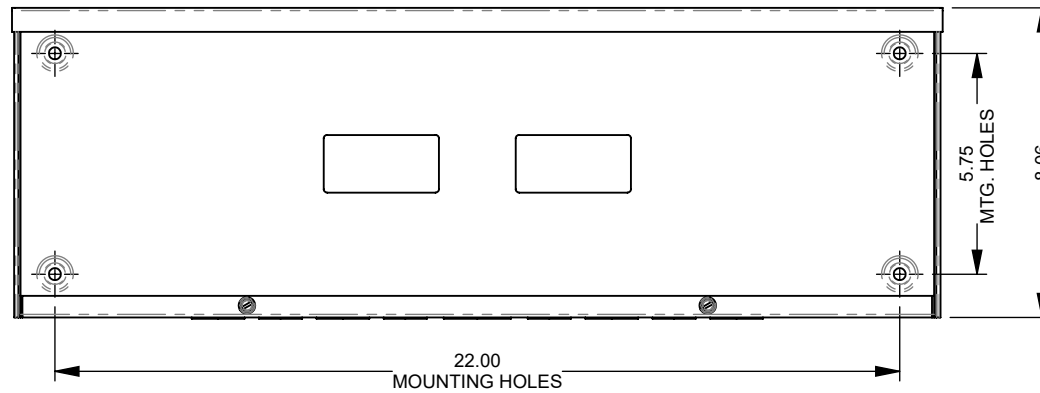
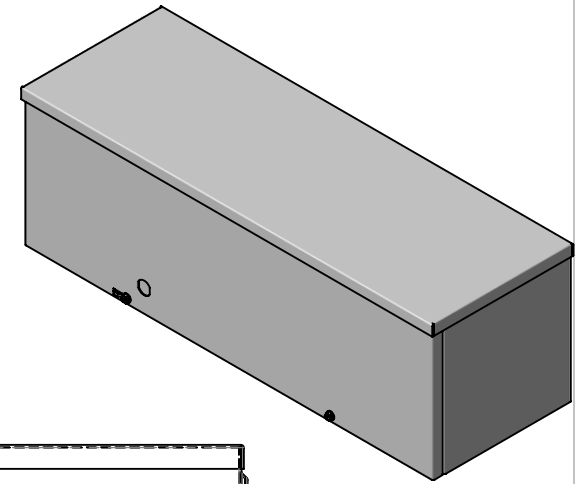
MILBANK
ENERGY AT WORK



8824-GSC3R-NK

Catalog Number	8824-GSC3R-NK
Marketing Product Description	8x24X8 Screw Cover Wireway Type 3R UL Listed Steel No Knockouts ANSI 61 Gray Quad D Knockout For Lock
UPC	784572109285
Length (IN)	24
Width (IN)	8
Height (IN)	8
Weight (LB)	17
Brand Name	Milbank
Type	Wiring Trough
Special Features	Key Locking Cylinder Latch Provision
Application	Wireway
Standard	UL Listed
Cover Type	Screw Cover
Enclosure	Outdoor Enclosure
Nominal Cross Section	8x8
Straight Section Length	24
Material	G90 Galvanized Steel
Finish	ANSI 61 Gray Powder Coat Finish
Knockouts	False
NEMA Rating	Type 3R

Please consult serving utility for their requirements prior to ordering or installing, as specifications and approvals vary by utility and may require local electrical inspector approval. All installations must be installed by a licensed electrician and must comply with all national and local codes, laws and regulations. Milbank reserves the right to make changes in specifications and features shown without notice or obligation.



Version:

1

**All dimensions are +/- 1/16".
Drawing views are not to scale.**

Please consult serving utility for their requirements prior to ordering or installing, as specifications and approvals vary by utility, and may require local electrical inspector approval. All installations must be installed by a licensed electrician and must comply with all national and local codes, laws and regulations. Milbank reserves the right to make changes in specifications and features shown without notice or obligation.