



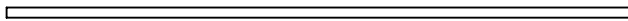
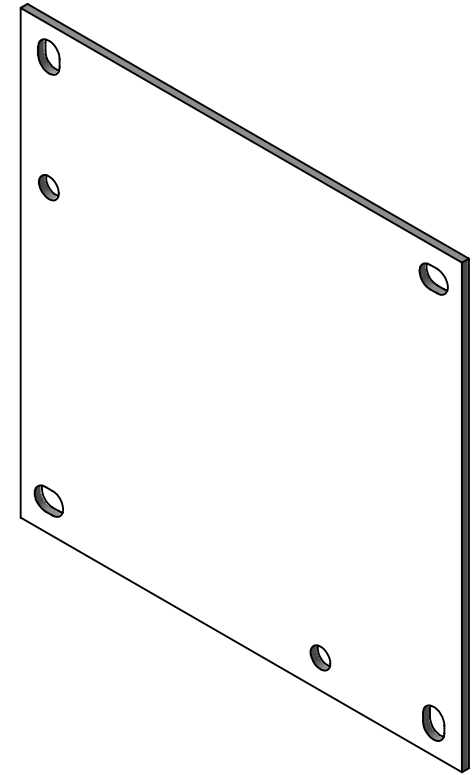
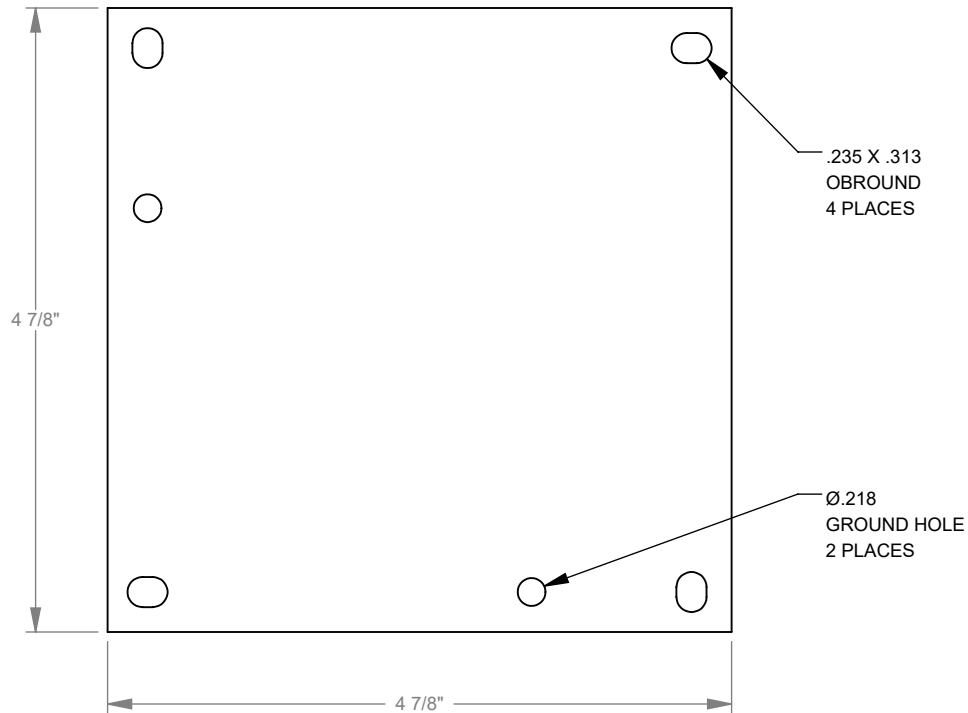
**MILBANK**<sup>®</sup>  
ENERGY AT WORK



## A-66SBP

Catalog Number	A-66SBP
Marketing Product Description	Back Panel Non UL Listed 6x6 Small Hinge Cover White Steel
UPC	784572174122
Length (IN)	0.074
Width (IN)	4.875
Height (IN)	4.875
Weight (LB)	0.25
Brand Name	Milbank
Type	Panel for Mounting Electronic Controls
Application	Enclosure Accessory
Material	Steel
Finish	Powder Coat Finish
Shape	Square
Size	0.074L x 4.875W x 4.875H
Color	White
Construction	Sheared
Mounting	Stud Mount
NEMA Rating	No Rating

Please consult serving utility for their requirements prior to ordering or installing, as specifications and approvals vary by utility and may require local electrical inspector approval. All installations must be installed by a licensed electrician and must comply with all national and local codes, laws and regulations. Milbank reserves the right to make changes in specifications and features shown without notice or obligation.



**MILBANK**  
ENERGY AT WORK

Version:

**1**

**All dimensions are +/- 1/16".  
Drawing views are not to scale.**

Please consult serving utility for their requirements prior to ordering or installing, as specifications and approvals vary by utility, and may require local electrical inspector approval. All installations must be installed by a licensed electrician and must comply with all national and local codes, laws and regulations. Milbank reserves the right to make changes in specifications and features shown without notice or obligation.



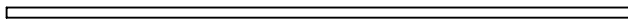
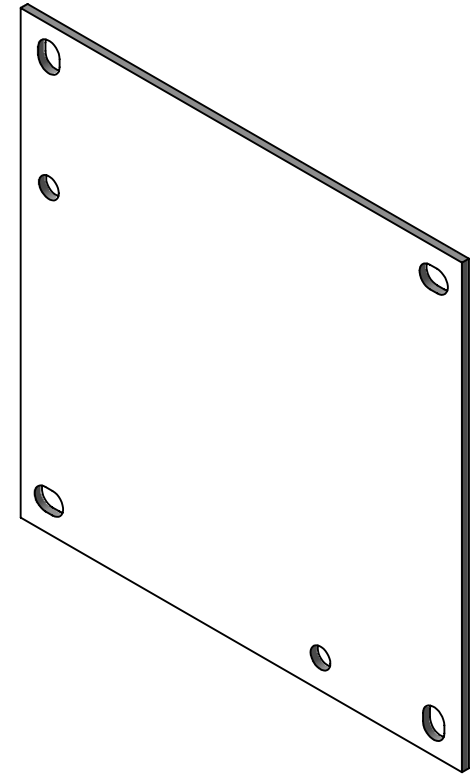
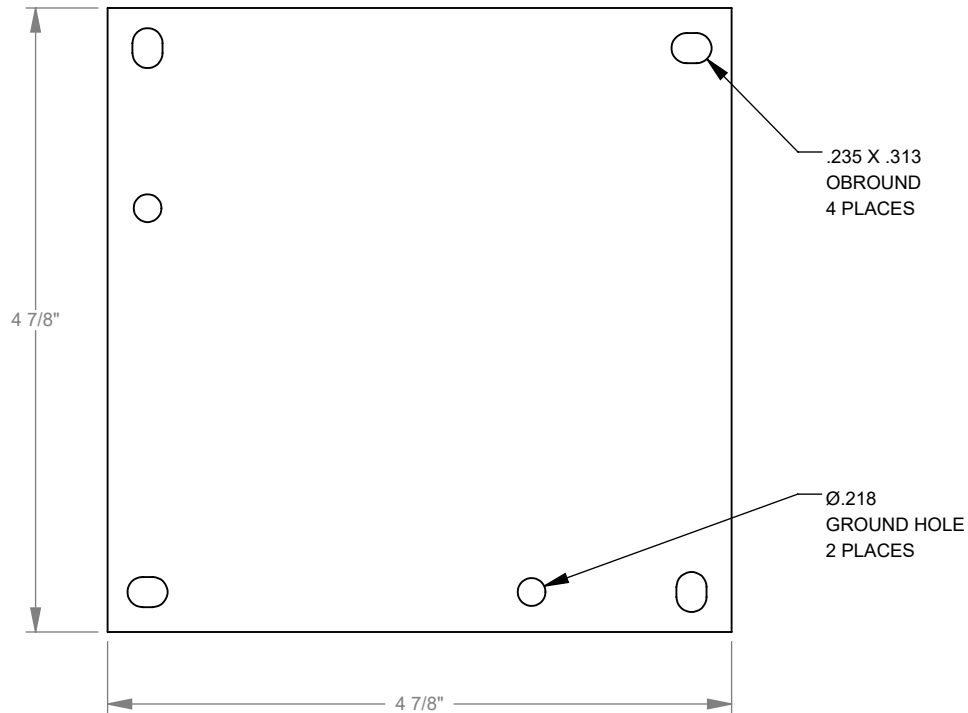
**MILBANK**<sup>®</sup>  
ENERGY AT WORK



## A-66SBP

Catalog Number	A-66SBP
Marketing Product Description	Back Panel Non UL Listed 6x6 Small Hinge Cover White Steel
UPC	784572174122
Length (IN)	0.074
Width (IN)	4.875
Height (IN)	4.875
Weight (LB)	0.25
Brand Name	Milbank
Type	Panel for Mounting Electronic Controls
Application	Enclosure Accessory
Material	Steel
Finish	Powder Coat Finish
Shape	Square
Size	0.074L x 4.875W x 4.875H
Color	White
Construction	Sheared
Mounting	Stud Mount
NEMA Rating	No Rating

Please consult serving utility for their requirements prior to ordering or installing, as specifications and approvals vary by utility and may require local electrical inspector approval. All installations must be installed by a licensed electrician and must comply with all national and local codes, laws and regulations. Milbank reserves the right to make changes in specifications and features shown without notice or obligation.



**MILBANK**  
ENERGY AT WORK

Version:

**1**

**All dimensions are +/- 1/16".  
Drawing views are not to scale.**

Please consult serving utility for their requirements prior to ordering or installing, as specifications and approvals vary by utility, and may require local electrical inspector approval. All installations must be installed by a licensed electrician and must comply with all national and local codes, laws and regulations. Milbank reserves the right to make changes in specifications and features shown without notice or obligation.