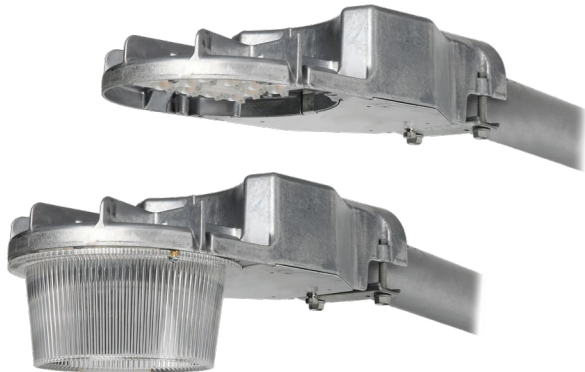


Project		Catalog #		Type	
Prepared by		Notes		Date	



Interactive Menu

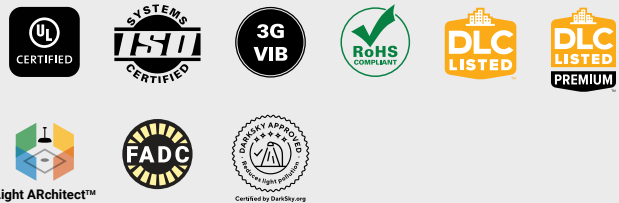
- **Ordering Information** page 2
- **Accessory & Mounting Details** page 2
- **Installation Overview** page 3
- **Energy and Performance Data** page 4
- **Optical Distributions** page 4

Lumark

Caretaker Nano

Dusk-to-Dawn Area / Security Luminaire

Product Certifications & Features



Product Specifications

PHYSICAL CHARACTERISTICS

- All aluminum construction, with die cast housing
- Raw aluminum finish
- Tool-less access and removable driver door for easy maintenance
- Corrosion-resistant hardware
- Mounts to pipe arms 1-5/8" to 2-3/8" OD. included Wall/Pole Bracket allows direct mount to wood pole or wall.
- Approximate net weight without refractor (open bottom) : 4.25lbs
- EPA (without refractor) = 0.30
- EPA (with CNR refractor) = 0.36

OPTICAL

- 70CRI at 4000K with a T5 Distribution.
- Acrylic refractor accessory available
- Compatible with ANSI/NEMA open bottom refractor assembly
- Field installable snap-on shielding (single square or perimeter fence shield)

ELECTRICAL

- 120-277V; 50/60Hz
- Standard 0-10V dimming with integrated 6kV surge protection
- 10kV and 20kV surge protection options in parallel or series configurations
- -40°C to 40°C ambient temperature operating range; -40°C to 50°C ambient temperature operating range at 20-30W

CONTROLS

- Photocontrol included
- 3-pin PCR optional

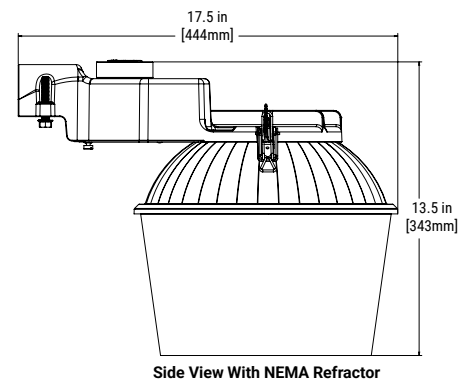
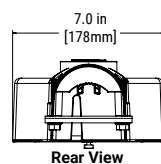
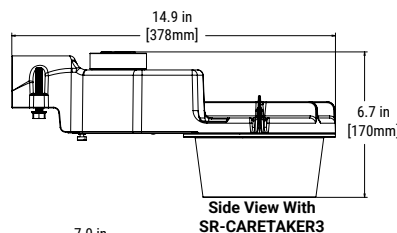
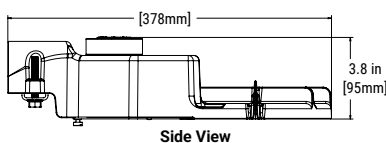
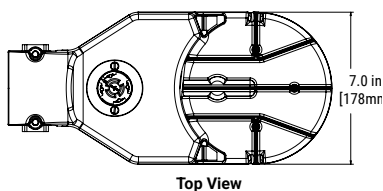
COMPLIANCE

- Meets ANSI C136.25 for IP66 Optical enclosure rating
- Meets ANSI C136.31 for 3G luminaire vibration. Customer is responsible for engineering analysis to confirm pole and fixture compatibility for all applications
- Safety listing - Wet Location UL 1598
- DarkSky approved for 3000K CCT and warmer, with mounting options less than 10° of tilt
- DLC and DLC Premium listed- visit designlights.org to confirm listed variations

WARRANTY

- Five-year limited warranty. Consult website for details. www.cooperlighting.com/legal

Dimensional Details

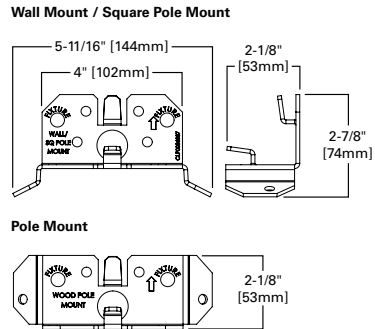


Stock Ordering Information

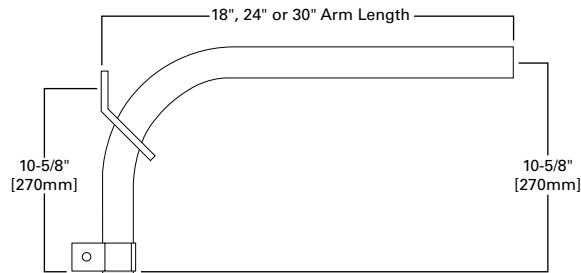
Model Number	Refractor	Accessories
CTKRV1C =Caretaker Nano 30W, 4500lm, UNV, Dimming, Photocontrol CTKRV2C =Caretaker Nano 50W, 6200lm, UNV, Dimming, Photocontrol	SR-CARETAKER3 =Acrylic Refractor	TH =Tool-less Door Hardware PR =Photocontrol V =(3) 5' #14 external leads WPBKT =Wall or pole mounting bracket FADC =Field Adjustable Dimming Controller

Mounting Details

Optional Wall/Pole Mounting Bracket



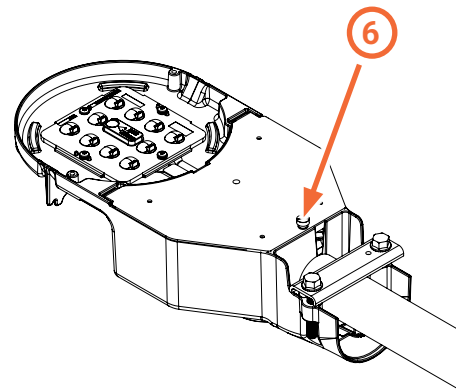
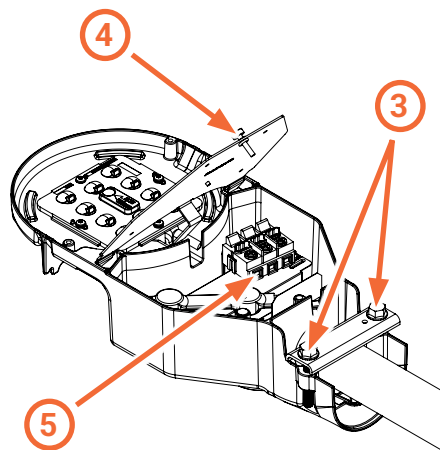
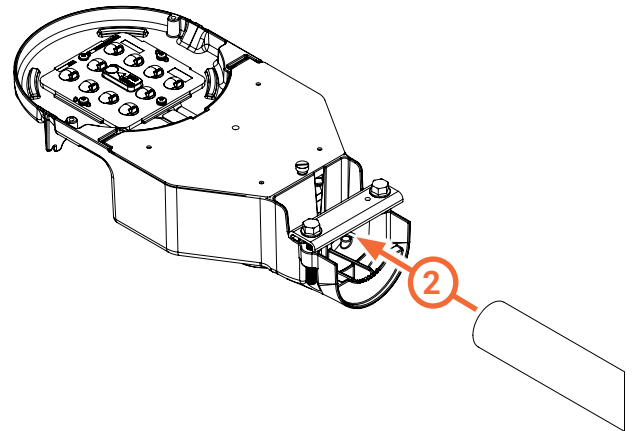
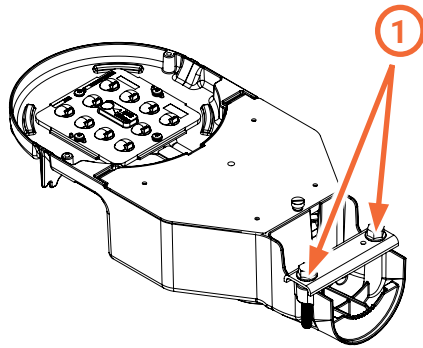
Optional Wood Pole Pipe Arm



Installation Overview

Quick Instruction Steps:

1. Loosen Mounting Bolts for Pole Clamp
2. Insert Pole Arm Into Fixture
3. Tighten Mounting Bolts on Pole Clamp
4. Open Door by Unscrewing the Door Screw
5. Pull Wires into Housing Through Rear Slot and Wire Appropriately
6. Close fixture Door with Door Screw



Energy and Performance Data

Nominal Power (Watts)	30	50
Actual Power (Watts)	32	48
Wattage Label	30	50
Input Current @ 120V (A)	0.27	0.40
Input Current @ 277V (A)	0.12	0.17

70 CRI, 3000K			
T5R	Lumens	4,570	6,185
	Lumens per Watt	141	130
	BUG Rating	B3-U0-G1	B3-U0-G1
T5R w SR-CARETAKER3	Lumens	4,398	5,952
	Lumens per Watt	136	125
	BUG Rating	B2-U3-G2	B3-U3-G2

70 CRI, 4000K			
T5R	Lumens	4,798	6,494
	Lumens per Watt	149	136
	BUG Rating	B3-U0-G1	B3-U0-G1
T5R w SR-CARETAKER3	Lumens	4,617	6,250
	Lumens per Watt	143	131
	BUG Rating	B3-U3-G2	B3-U3-G2

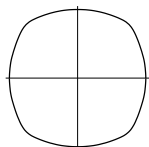
FADC Settings

FADC Position	Percent of Typical Lumen Output
1	25%
2	48%
3	56%
4	65%
5	75%
6	80%
7	85%
8	90%
9	95%
10	100%

Note: +/-5% typical value

Optical Distributions

T5R
(Type V Roadway)



Lumen Maintenance

Ambient Temperature	25,000 hours*	50,000 hours*	60,000 hours*	100,000 hours*	L70*
25°C	98.1%	96.3%	95.6%	92.8%	>102,000
40°C	98.0%	96.1%	95.3%	92.3%	>102,000
50°C	97.8%	95.6%	94.8%	91.4%	>102,000

Note: * Calculations provided in accordance with IES TM-21-11 using the configuration resulting in highest LED temperature.

Lumen Multiplier

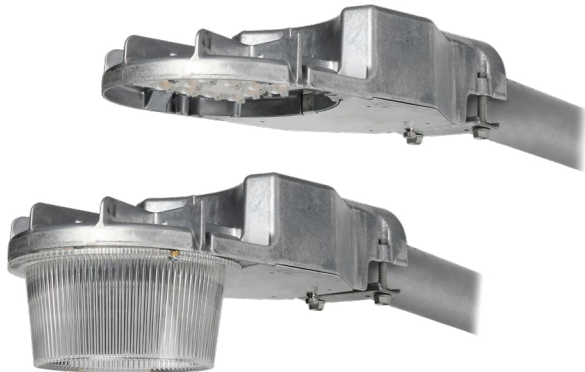
Ambient Temperature	Lumen Multiplier
0°C	1.02
10°C	1.01
25°C	1.00
40°C	0.99
50°C	0.97

LED Color Multipliers

	4000
CRI	
70	1.00

Note: * Estimates, refer to IES files for accuracy.

Project		Catalog #		Type	
Prepared by		Notes		Date	



Interactive Menu

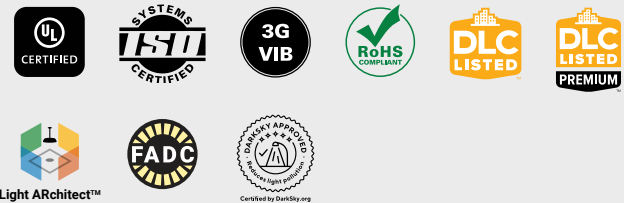
- **Ordering Information** page 2
- **Accessory & Mounting Details** page 2
- **Installation Overview** page 3
- **Energy and Performance Data** page 4
- **Optical Distributions** page 4

Lumark

Caretaker Nano

Dusk-to-Dawn Area / Security Luminaire

Product Certifications & Features



Product Specifications

PHYSICAL CHARACTERISTICS

- All aluminum construction, with die cast housing
- Raw aluminum finish
- Tool-less access and removable driver door for easy maintenance
- Corrosion-resistant hardware
- Mounts to pipe arms 1-5/8" to 2-3/8" OD. included Wall/Pole Bracket allows direct mount to wood pole or wall.
- Approximate net weight without refractor (open bottom) : 4.25lbs
- EPA (without refractor) = 0.30
- EPA (with CNR refractor) = 0.36

OPTICAL

- 70CRI at 4000K with a T5 Distribution.
- Acrylic refractor accessory available
- Compatible with ANSI/NEMA open bottom refractor assembly
- Field installable snap-on shielding (single square or perimeter fence shield)

ELECTRICAL

- 120-277V; 50/60Hz
- Standard 0-10V dimming with integrated 6kV surge protection
- 10kV and 20kV surge protection options in parallel or series configurations
- -40°C to 40°C ambient temperature operating range; -40°C to 50°C ambient temperature operating range at 20-30W

CONTROLS

- Photocontrol included
- 3-pin PCR optional

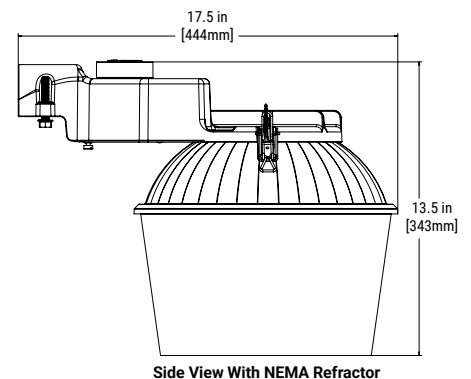
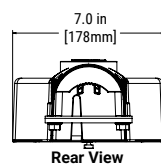
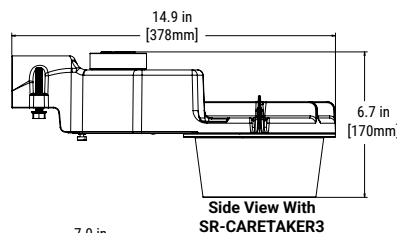
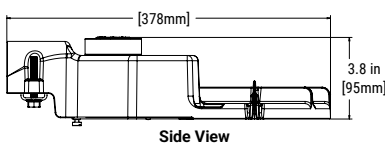
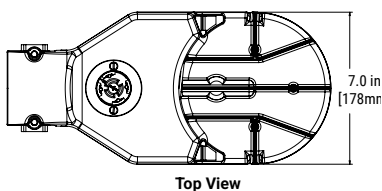
COMPLIANCE

- Meets ANSI C136.25 for IP66 Optical enclosure rating
- Meets ANSI C136.31 for 3G luminaire vibration. Customer is responsible for engineering analysis to confirm pole and fixture compatibility for all applications
- Safety listing - Wet Location UL 1598
- DarkSky approved for 3000K CCT and warmer, with mounting options less than 10° of tilt
- DLC and DLC Premium listed- visit designlights.org to confirm listed variations

WARRANTY

- Five-year limited warranty. Consult website for details. www.cooperlighting.com/legal

Dimensional Details

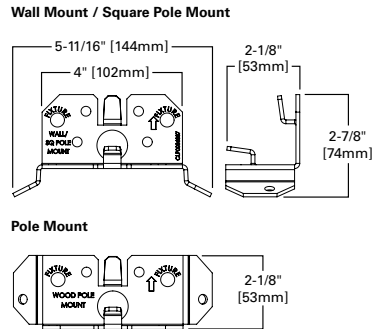


Stock Ordering Information

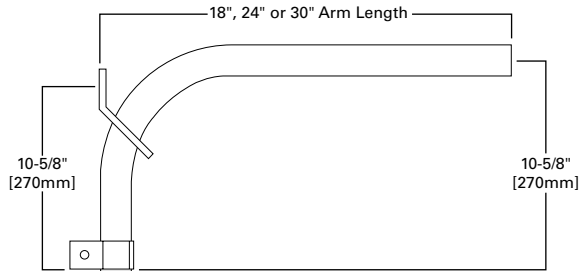
Model Number	Refractor	Accessories
CTKR1C =Caretaker Nano 30W, 4500lm, UNV, Dimming, Photocontrol CTKR2C =Caretaker Nano 50W, 6200lm, UNV, Dimming, Photocontrol	SR-CARETAKER3 =Acrylic Refractor	TH =Tool-less Door Hardware PR =Photocontrol V =(3) 5' #14 external leads WPBKT =Wall or pole mounting bracket FADC =Field Adjustable Dimming Controller

Mounting Details

Optional Wall/Pole Mounting Bracket



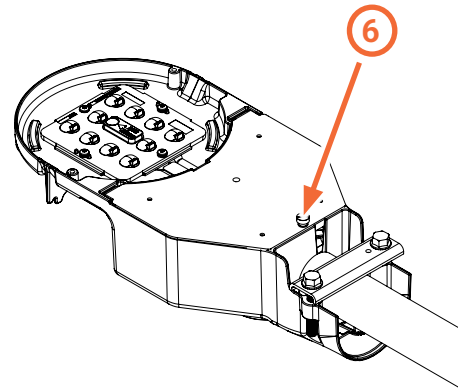
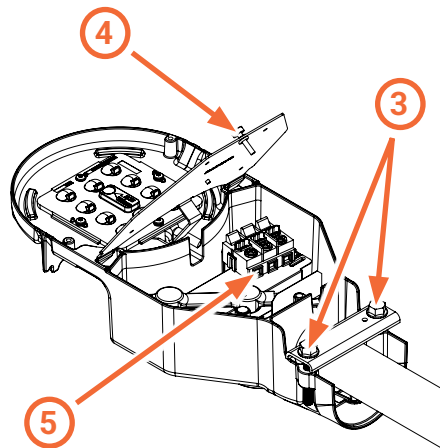
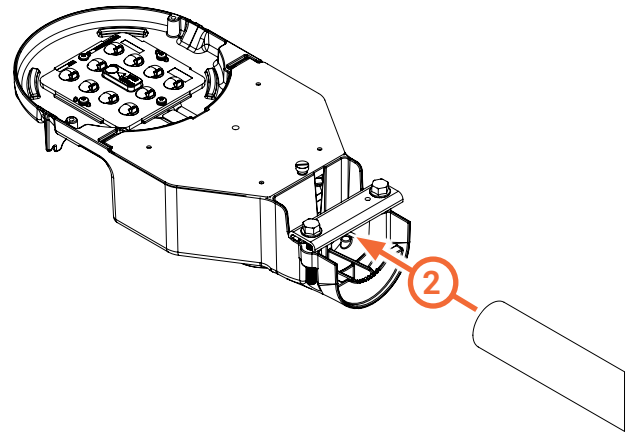
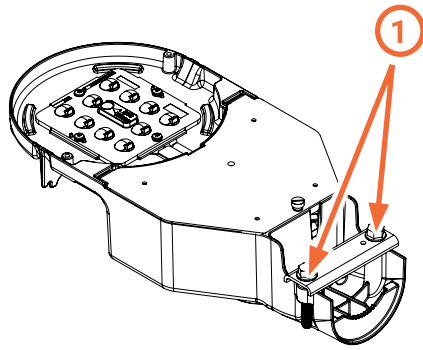
Optional Wood Pole Pipe Arm



Installation Overview

Quick Instruction Steps:

1. Loosen Mounting Bolts for Pole Clamp
2. Insert Pole Arm Into Fixture
3. Tighten Mounting Bolts on Pole Clamp
4. Open Door by Unscrewing the Door Screw
5. Pull Wires into Housing Through Rear Slot and Wire Appropriately
6. Close fixture Door with Door Screw



Energy and Performance Data

Nominal Power (Watts)	30	50
Actual Power (Watts)	32	48
Wattage Label	30	50
Input Current @ 120V (A)	0.27	0.40
Input Current @ 277V (A)	0.12	0.17

70 CRI, 3000K			
T5R	Lumens	4,570	6,185
	Lumens per Watt	141	130
	BUG Rating	B3-U0-G1	B3-U0-G1
T5R w SR-CARETAKER3	Lumens	4,398	5,952
	Lumens per Watt	136	125
	BUG Rating	B2-U3-G2	B3-U3-G2

70 CRI, 4000K			
T5R	Lumens	4,798	6,494
	Lumens per Watt	149	136
	BUG Rating	B3-U0-G1	B3-U0-G1
T5R w SR-CARETAKER3	Lumens	4,617	6,250
	Lumens per Watt	143	131
	BUG Rating	B3-U3-G2	B3-U3-G2

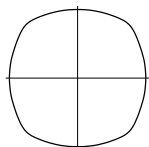
FADC Settings

FADC Position	Percent of Typical Lumen Output
1	25%
2	48%
3	56%
4	65%
5	75%
6	80%
7	85%
8	90%
9	95%
10	100%

Note: +/-5% typical value

Optical Distributions

T5R
(Type V Roadway)



Lumen Maintenance

Ambient Temperature	25,000 hours*	50,000 hours*	60,000 hours*	100,000 hours*	L70*
25°C	98.1%	96.3%	95.6%	92.8%	>102,000
40°C	98.0%	96.1%	95.3%	92.3%	>102,000
50°C	97.8%	95.6%	94.8%	91.4%	>102,000

Note: * Calculations provided in accordance with IES TM-21-11 using the configuration resulting in highest LED temperature.

Lumen Multiplier

Ambient Temperature	Lumen Multiplier
0°C	1.02
10°C	1.01
25°C	1.00
40°C	0.99
50°C	0.97

LED Color Multipliers

CRI	Lumen Multiplier
4000	
70	1.00

Note: * Estimates, refer to IES files for accuracy.