



The **SlimFlood Selectable Gen 3** offers energy saving LED technology along with field selectable color, beam angle, and wattage. Versatile and stylish with seven different sizes to choose from, provides application flexibility for ground, wall or pole mounting installations, with both included in carton. Ideal for sign lighting, building facades, security lighting, and general purpose floodlighting applications.

Project: \_\_\_\_\_  
 Location: \_\_\_\_\_  
 Cat.No: \_\_\_\_\_  
 Type: \_\_\_\_\_  
 Lamps: \_\_\_\_\_ Qty: \_\_\_\_\_  
 Notes: \_\_\_\_\_

## Ordering guide

example: SF35-SCT-G3-10-PCB-BZ

Luminaire	CCT SCT	Generation G3	Voltage 10	Options	Finish BZ
<b>SF20</b> SlimFlood 10-15-20W <b>SF35</b> SlimFlood 15-25-35W <b>SF60</b> SlimFlood 35-45-60W <b>SF80</b> SlimFlood 60-70-80W <b>SF150</b> SlimFlood 100-120-150W <b>SF250</b> SlimFlood 190-220-250W <b>SF300</b> SlimFlood 150-240-300W	CCT Selectable (3000K, 4000K, 5000K)	Gen 3	120-347V	PCB Photocell <sup>1</sup> (SF20, SF35, SF60, SF80, SF100, and SF150 only)  - Photocell Ready (SF250 and SF300 only)	BZ Bronze

1. Photocell is included as standard for SF20, SF60, SF80, SF150 with an ON/OFF switch.
2. Photocell is included in carton for SF250 and SF300.

## LED Wattage and Lumen Values

Ordering Guide	Color Temp. (K) <sup>1</sup>	Average System Wattage	Lumen Output <sup>3</sup>	Efficacy (LPW)
SF20	4000	10/15/20W	1500/2200/2900lm	145
SF35	4000	15/25/35W	2450/3900/5050lm	145
SF60	4000	35/45/60W	5750/7100/9400lm	155
SF80	4000	60/70/80W	9450/10600/12350lm	150
SF150	4000	100/120/150W	15550/18550/22250lm	145
SF250	4000	190/220/250W	30400/34000/38050lm	150
SF300	4000	150/240/300W	24650/37200/45800lm	150

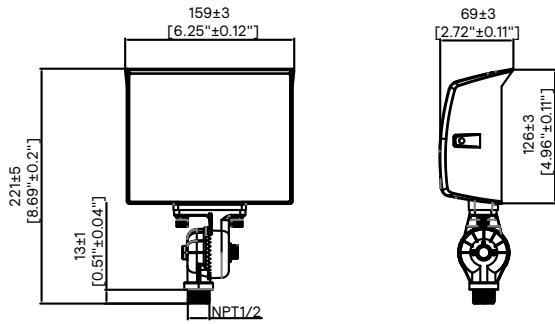
1. Color temperature default setting is 4000K.
2. Wattage/Lumen Output factory setting set to mid power option.
3. Wattage and lumen output may vary by +/-10% due to actual input voltage.
4. Lumen values based on photometric tests performed in compliance with IESNA LM-79.
5. Beam angle factory setting is 90°.

# SF20/35/60/80/150/250/300

## SlimFlood LED dual select 20-300W

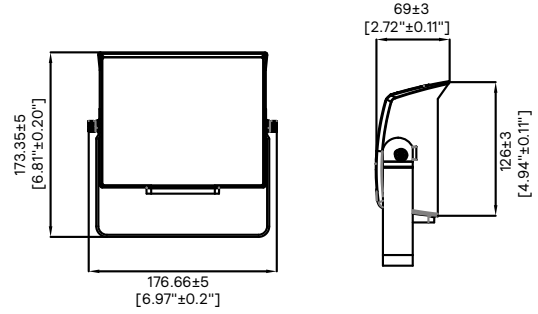
Dimensions: 20-35W

### Knuckle

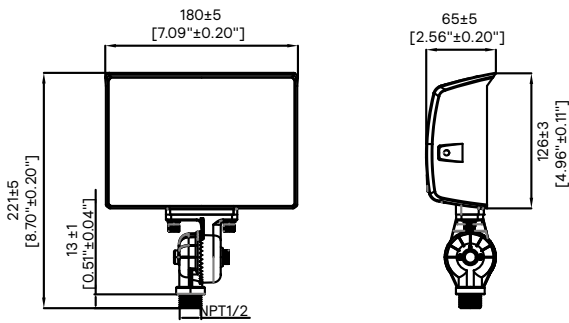


**20W Knuckle**  
SlimFlood 10-15-20W/3CCT/UN3/KN

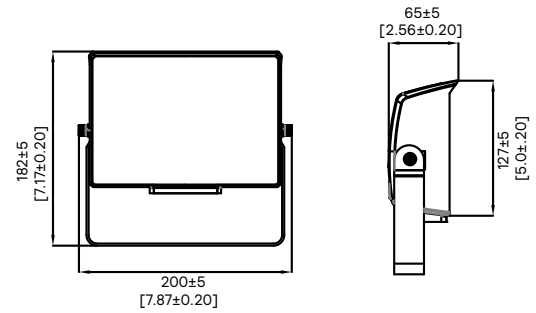
### Yoke



**20W Yoke**  
SlimFlood 10-15-20W/3CCT/UN3/YK



**35W Knuckle**  
SlimFlood 15-25-35W/3CCT/UN3/KN/PCB



**35W Yoke**  
SlimFlood 15-25-35W/3CCT/UN3/YK/PCB

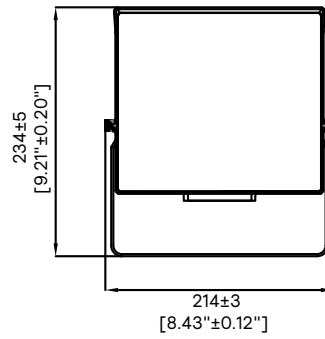
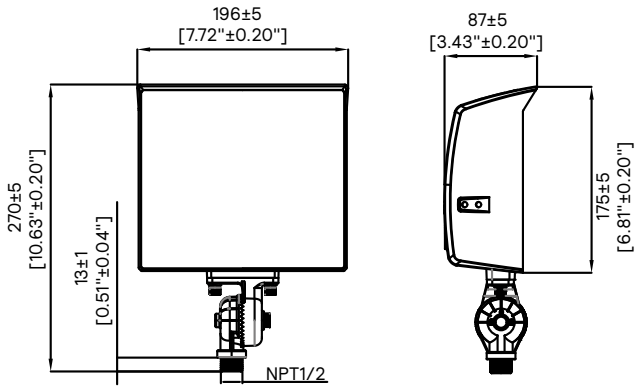
# SF20/35/60/80/150/250/300

## SlimFlood LED dual select 20-300W

Dimensions (cont'd): 60-80W

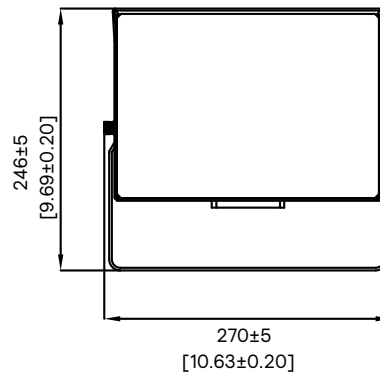
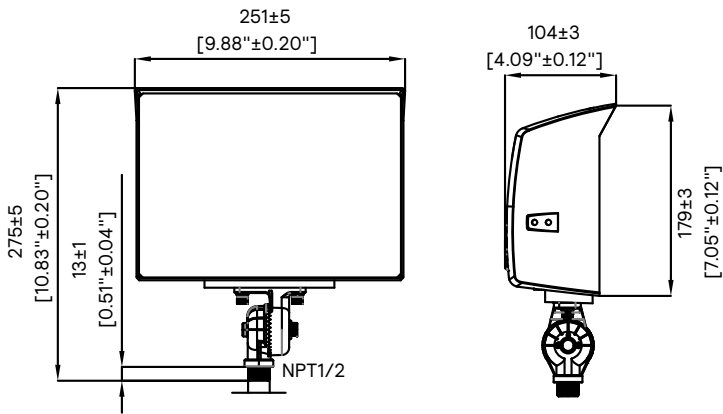
### Knuckle

### Yoke



**60W Knuckle**  
SlimFlood 34-45-60W/3CCT/UN3/KN/PCB

**60W Yoke**  
SlimFlood 34-45-60W/3CCT/UN3/YK/PCB



**80W Knuckle**  
SlimFlood 60-70-80W/3CCT/UN3/KN/PCB

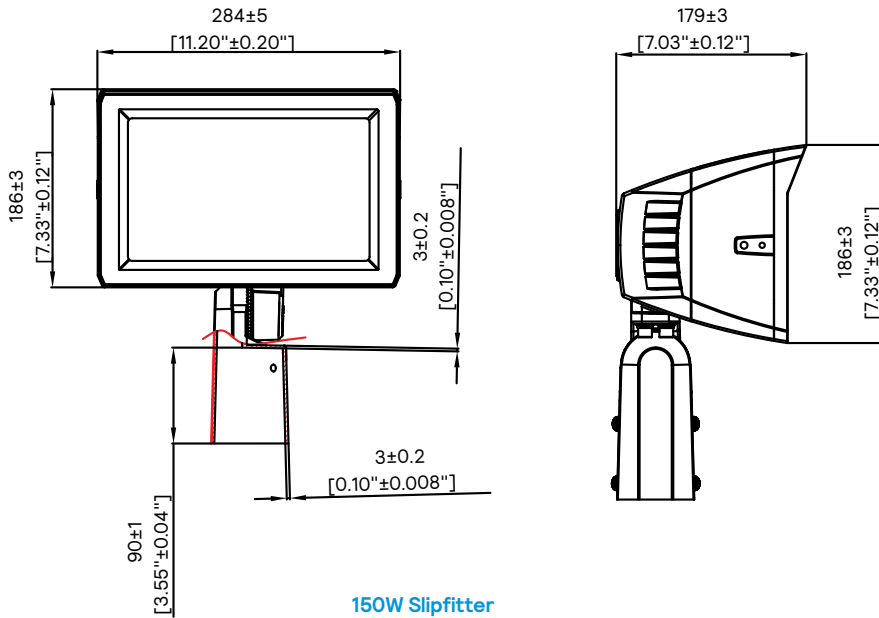
**80W Yoke**  
SlimFlood 60-70-80W/3CCT/UN3/YK/PCB

# SF20/35/60/80/150/250/300

## SlimFlood LED dual select 20-300W

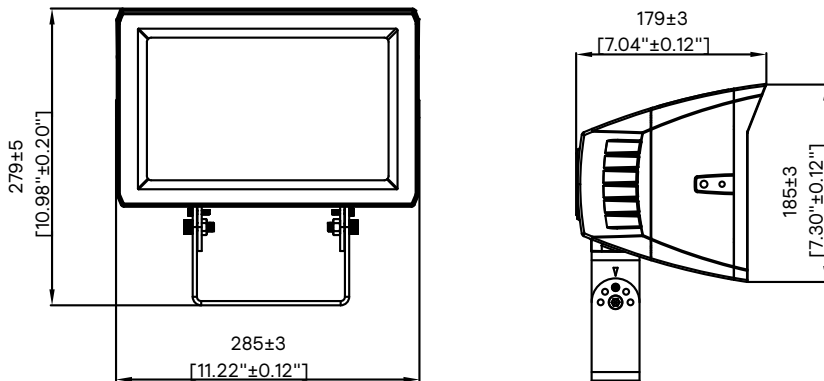
Dimensions (cont'd): 150W

### Slipfitter



150W Slipfitter  
SlimFlood 100-120-150W/3CCT/UN3/SF/PCB

### Trunnion



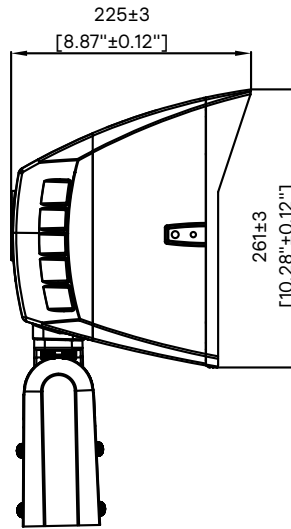
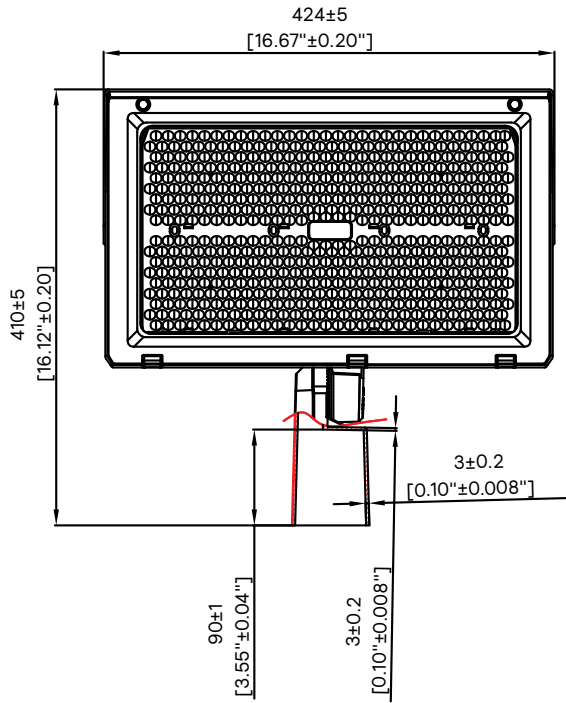
150W Trunnion  
SlimFlood 100-120-150W/3CCT/UN3/TN/PCB

# SF20/35/60/80/150/250/300

## SlimFlood LED dual select 20-300W

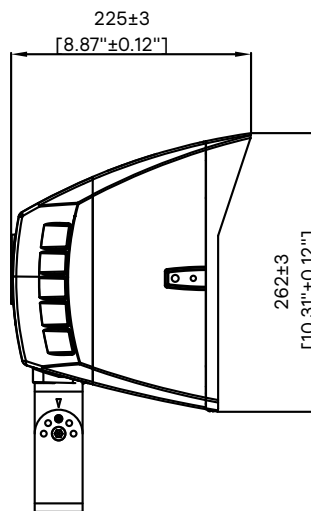
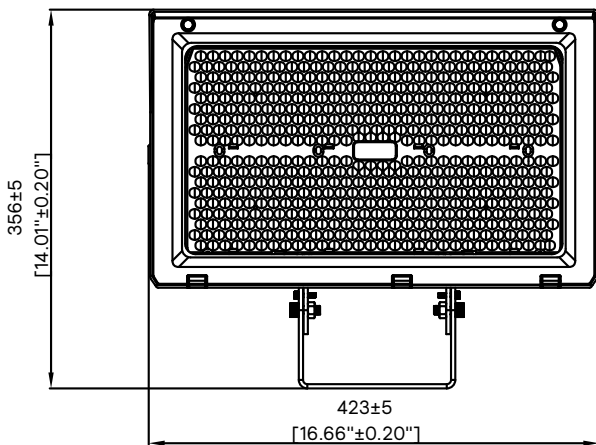
Dimensions (cont'd): 250W

### Slipfitter



250W Slipfitter  
SlimFlood 190-220-250W/3CCT/UN3/SF

### Trunnion



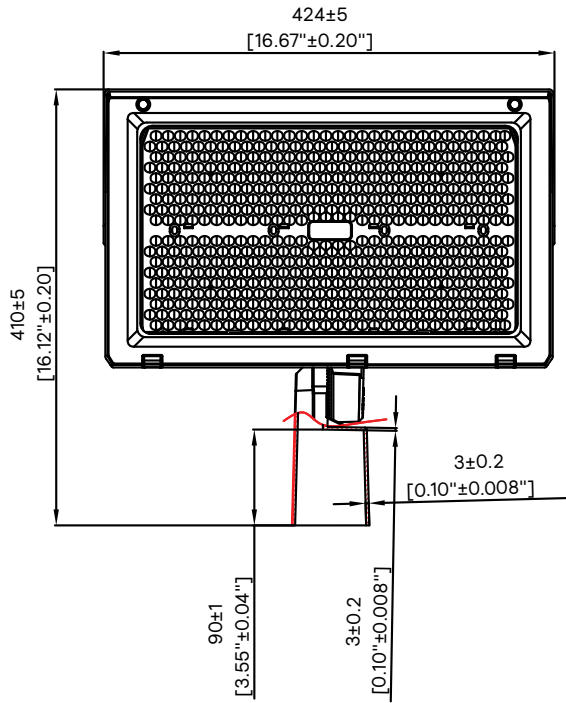
250W Trunnion  
SlimFlood 190-220-250W/3CCT/UN3/TN

# SF20/35/60/80/150/250/300

## SlimFlood LED dual select 20-300W

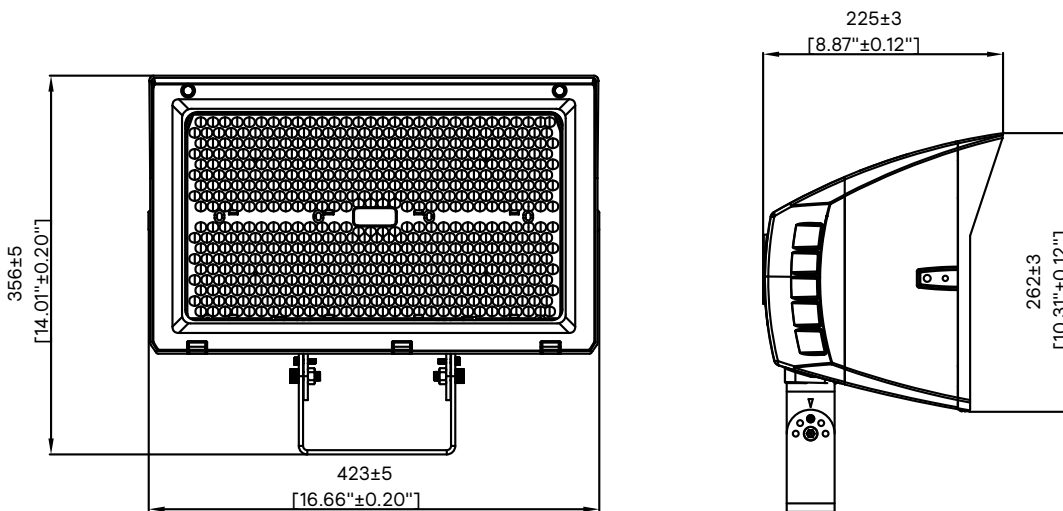
Dimensions (cont'd): 300W

### Slipfitter



300W Slipfitter  
SlimFlood 150-240-300W/3CCT/UN3/SF

### Trunnion



300W Trunnion  
SlimFlood 150-240-300W/3CCT/UN3/TN

# SF20/35/60/80/150/250/300

## SlimFlood LED dual select 20–300W

### Specifications

#### Housing and Heat Sink

Single piece aluminum alloy die cast housing.

#### Mounting

Suitable for mounting within 4' (1.2m) of the ground.

**Knuckle:** Integral die cast Aluminum adjustable knuckle ½" NPT male threads with locking teeth and bolt to lock in aiming angle. Ships fully assembled, ready to install. Knuckle mount option standard for SF20, SF35, SF60, and SF80 only.

**Yoke:** Integral structural steel adjustable Yoke for direct surface mounting, painted for resistance to corrosion, with bolt to lock in aiming angle. Ships fully assembled, ready to install. Yoke mount option standard for SF20, SF35, SF60, and SF80 only.

**Trunnion:** Integral structural steel adjustable trunnion for direct surface mounting, painted for resistance to corrosion, with bolt to lock in aiming angle. Ships fully assembled, ready to install. Trunnion mount option for SF150, SF250 and SF300 only.

**Slipfitter:** Integral die cast Aluminum adjustable slipfitter includes set screws for securing luminaire to 2-3/8" O.D. tenon, with aiming angle markings and bolt to lock in aiming angle. Ships fully assembled, ready to install. Slipfitter mount option for SF150, SF250 and SF300 only.

**Angle aiming/tilt:** -90/0/90

#### Lens

20W–300W Polycarbonate lens.

#### Light Engine

Composed of 3 main components: LED Module / Optical System / Driver. Electrical components are RoHS compliant.

#### Color Temperature

All luminaires are provided with three field selectable color temperature options: 3000K/4000K (Default)/5000K.

#### Wattage

SlimFlood dual select is provided with wattage field adjustable options.

20W/15W/10W switchable, default setting: 20W  
35/25/15W switchable, default setting: 35W  
60/45/35W switchable, default setting: 60W  
80/70/60W switchable, default setting: 80W  
150/120/100W switchable, default setting: 150W  
250/220/190W switchable, default setting: 250W  
300/240/150W switchable, default setting: 300W

#### Driver

Slim Flood dual select operates with a 120–347V; 50/60Hz Class 1 or Class 2 driver. All configurations operate with 0–10V dimming.

#### Other Integrated Features

**Photocell:** Included as standard for SF20, SF35, SF60, SF80, SF150 with an ON/OFF switch in the luminaire and included in carton for SF250 & SF300.

**Surge Protection:** Each luminaire is provided as standard with surge protection. 20–35W: 2.5KV; 60W: 6KV; 80–300W: 10KV.

**Beam Angle:** 20–300W adjustable optics - 90°/75°/55°.

#### Finish

Fade and abrasion resistant powdercoat bronze finish (RAL 8019).

#### Certifications and Compliance

cULus Listed for Canada and USA. DLC 5.1 Premium. Entire luminaire is rated for operation in ambient temperature of:

20–150W: -30°C–50°C with Photocell **on**,

20–150W: -40°C–50°C with Photocell **off**;

250–300W: -40°C–50°C

#### IP65 Rating

Entire luminaire including light engine and driver/ electrical compartment IP65 rated in all aiming positions including upward aiming floodlighting applications.

#### Limited Warranty

5-year limited warranty. See [signify.com/warranties](https://www.signify.com/warranties) for details and restrictions. Visit our eCatalog or contact your local sales representative for more information.

### Predicted Lumen Depreciation Data

Ambient Temperature °C	L <sub>70</sub> per TM21 <sup>1,2</sup>
25°C	50,000hrs

1. L<sub>70</sub> is the predicted time when LED performance depreciates to 70% of initial lumen output.

2. Calculated per IESNA TM 21-11. Published L<sub>70</sub> hours limited to 6 times actual LED test hours.



The **SlimFlood Selectable Gen 3** offers energy saving LED technology along with field selectable color, beam angle, and wattage. Versatile and stylish with seven different sizes to choose from, provides application flexibility for ground, wall or pole mounting installations, with both included in carton. Ideal for sign lighting, building facades, security lighting, and general purpose floodlighting applications.

Project: \_\_\_\_\_  
 Location: \_\_\_\_\_  
 Cat.No: \_\_\_\_\_  
 Type: \_\_\_\_\_  
 Lamps: \_\_\_\_\_ Qty: \_\_\_\_\_  
 Notes: \_\_\_\_\_

## Ordering guide

example: SF35-SCT-G3-10-PCB-BZ

Luminaire	CCT SCT	Generation G3	Voltage 10	Options	Finish BZ
<b>SF20</b> SlimFlood 10-15-20W <b>SF35</b> SlimFlood 15-25-35W <b>SF60</b> SlimFlood 35-45-60W <b>SF80</b> SlimFlood 60-70-80W <b>SF150</b> SlimFlood 100-120-150W <b>SF250</b> SlimFlood 190-220-250W <b>SF300</b> SlimFlood 150-240-300W	SCT CCT Selectable (3000K, 4000K, 5000K)	G3 Gen 3	10 120-347V	PCB Photocell <sup>1</sup> (SF20, SF35, SF60, SF80, SF100, and SF150 only)  - Photocell Ready (SF250 and SF300 only)	BZ Bronze

1. Photocell is included as standard for SF20, SF60, SF80, SF150 with an ON/OFF switch.

2. Photocell is included in carton for SF250 and SF300.

## LED Wattage and Lumen Values

Ordering Guide	Color Temp. (K) <sup>1</sup>	Average System Wattage	Lumen Output <sup>3</sup>	Efficacy (LPW)
SF20	4000	10/15/20W	1500/2200/2900lm	145
SF35	4000	15/25/35W	2450/3900/5050lm	145
SF60	4000	35/45/60W	5750/7100/9400lm	155
SF80	4000	60/70/80W	9450/10600/12350lm	150
SF150	4000	100/120/150W	15550/18550/22250lm	145
SF250	4000	190/220/250W	30400/34000/38050lm	150
SF300	4000	150/240/300W	24650/37200/45800lm	150

1. Color temperature default setting is 4000K.

2. Wattage/Lumen Output factory setting set to mid power option.

3. Wattage and lumen output may vary by +/-10% due to actual input voltage.

4. Lumen values based on photometric tests performed in compliance with IESNA LM-79.

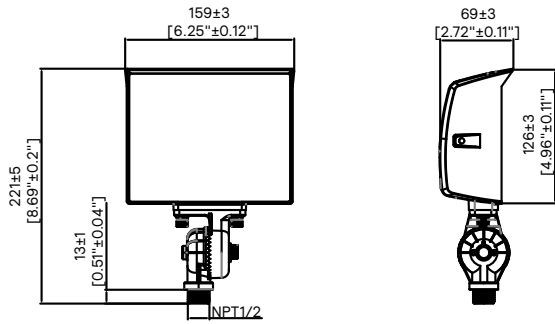
5. Beam angle factory setting is 90°.

# SF20/35/60/80/150/250/300

## SlimFlood LED dual select 20-300W

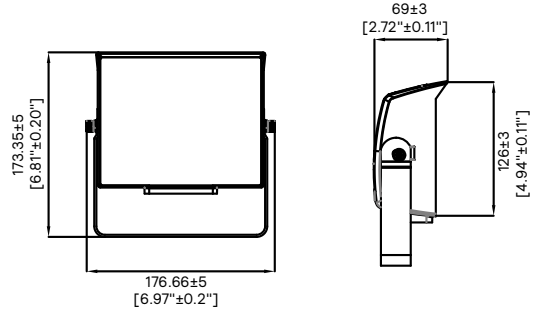
Dimensions: 20-35W

### Knuckle

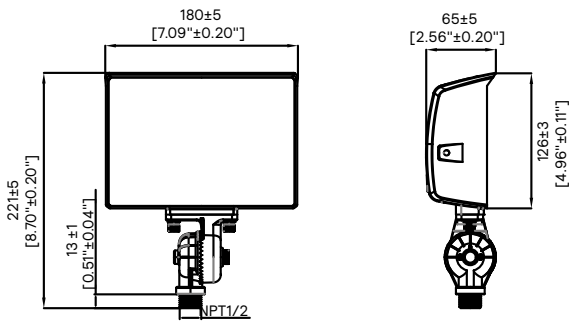


**20W Knuckle**  
SlimFlood 10-15-20W/3CCT/UN3/KN

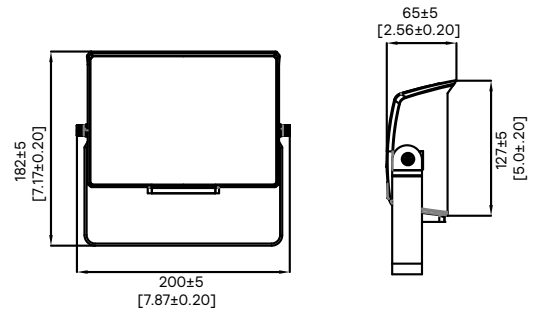
### Yoke



**20W Yoke**  
SlimFlood 10-15-20W/3CCT/UN3/YK



**35W Knuckle**  
SlimFlood 15-25-35W/3CCT/UN3/KN/PCB



**35W Yoke**  
SlimFlood 15-25-35W/3CCT/UN3/YK/PCB

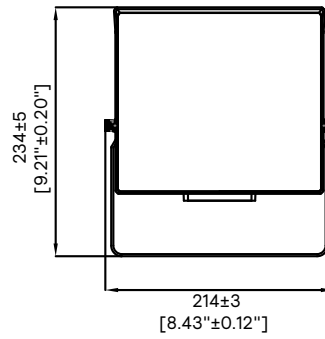
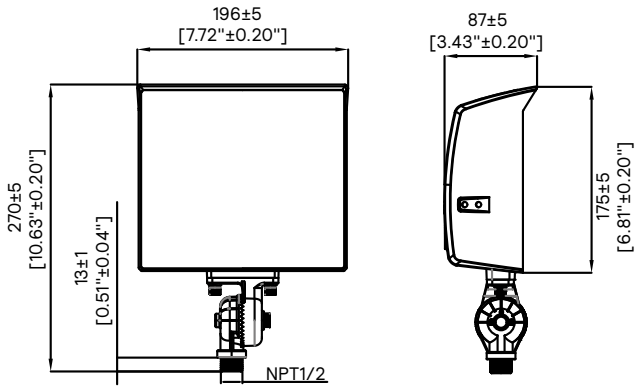
# SF20/35/60/80/150/250/300

## SlimFlood LED dual select 20-300W

Dimensions (cont'd): 60-80W

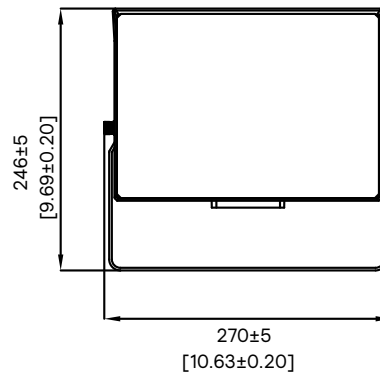
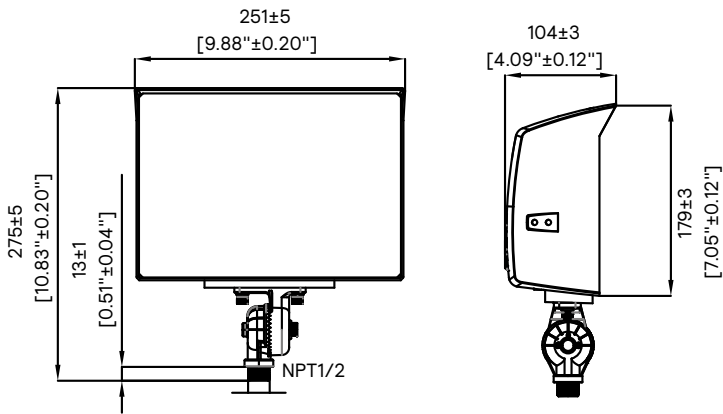
### Knuckle

### Yoke



**60W Knuckle**  
SlimFlood 34-45-60W/3CCT/UN3/KN/PCB

**60W Yoke**  
SlimFlood 34-45-60W/3CCT/UN3/YK/PCB



**80W Knuckle**  
SlimFlood 60-70-80W/3CCT/UN3/KN/PCB

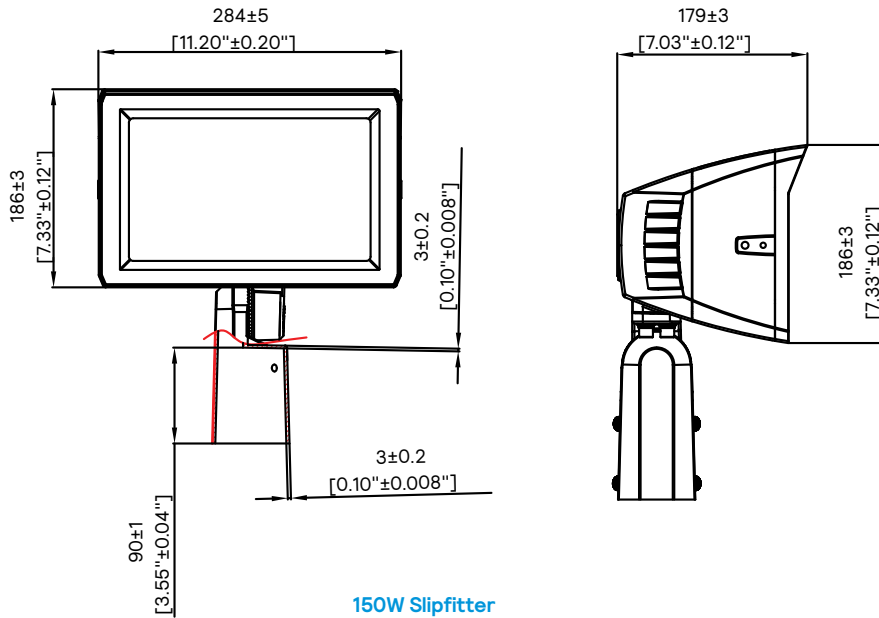
**80W Yoke**  
SlimFlood 60-70-80W/3CCT/UN3/YK/PCB

# SF20/35/60/80/150/250/300

## SlimFlood LED dual select 20-300W

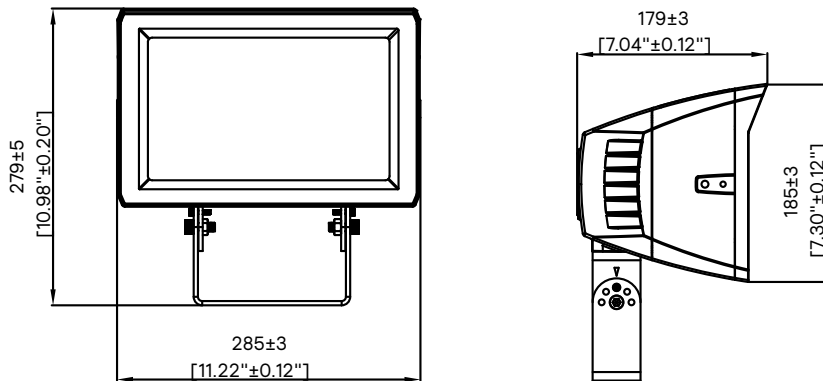
Dimensions (cont'd): 150W

### Slipfitter



150W Slipfitter  
SlimFlood 100-120-150W/3CCT/UN3/SF/PCB

### Trunnion



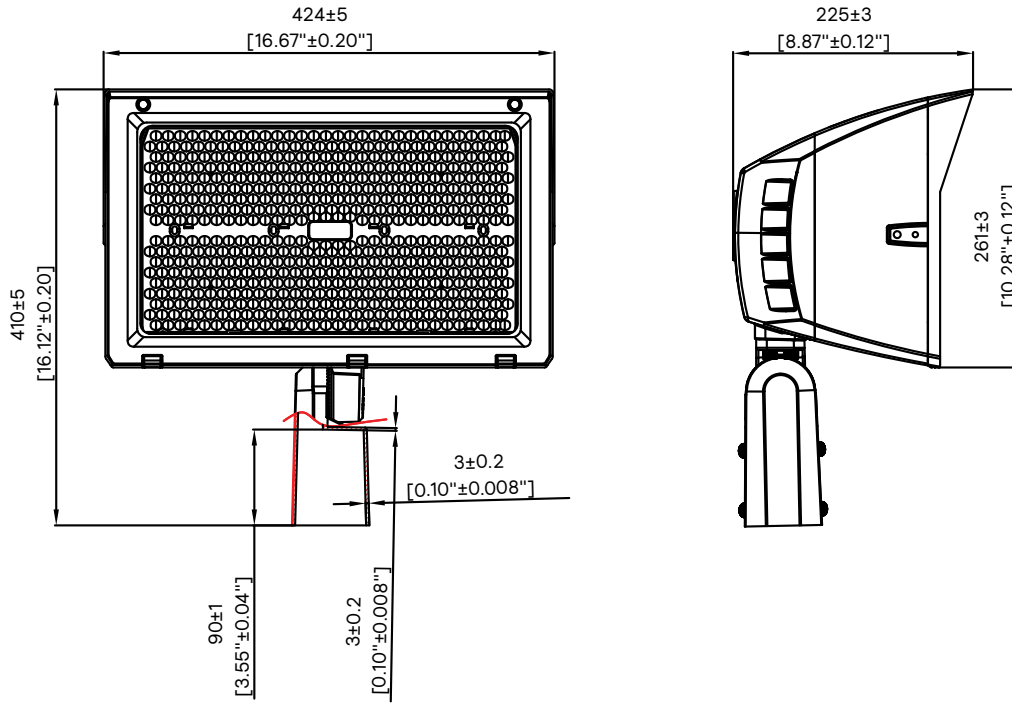
150W Trunnion  
SlimFlood 100-120-150W/3CCT/UN3/TN/PCB

# SF20/35/60/80/150/250/300

## SlimFlood LED dual select 20-300W

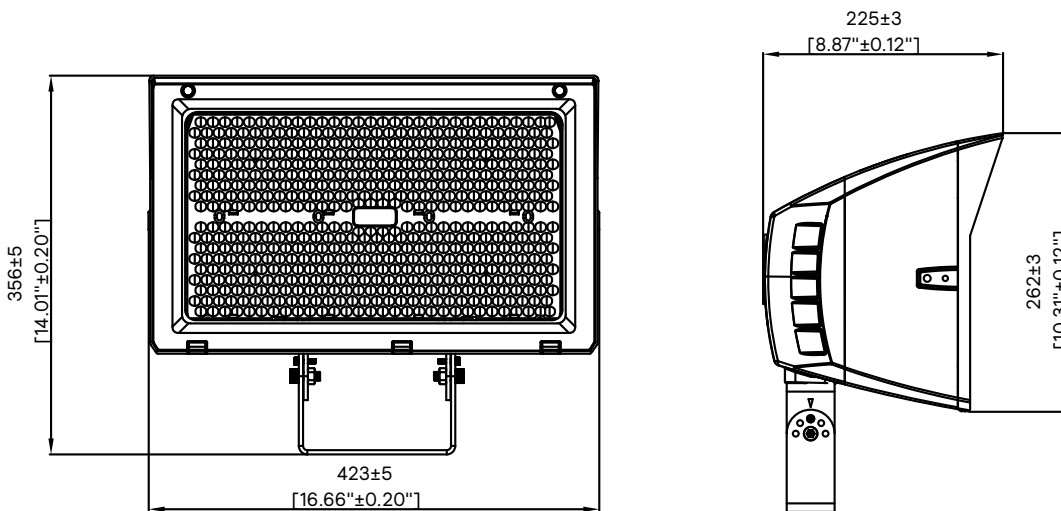
Dimensions (cont'd): 250W

### Slipfitter



250W Slipfitter  
SlimFlood 190-220-250W/3CCT/UN3/SF

### Trunnion



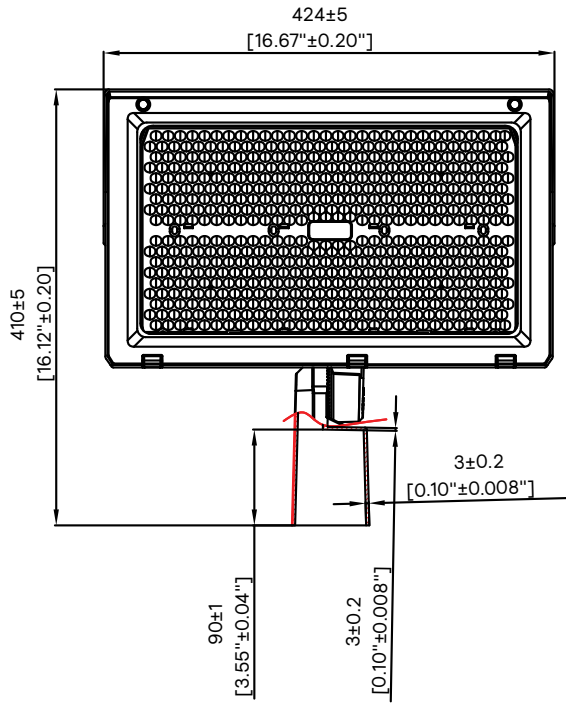
250W Trunnion  
SlimFlood 190-220-250W/3CCT/UN3/TN

# SF20/35/60/80/150/250/300

## SlimFlood LED dual select 20-300W

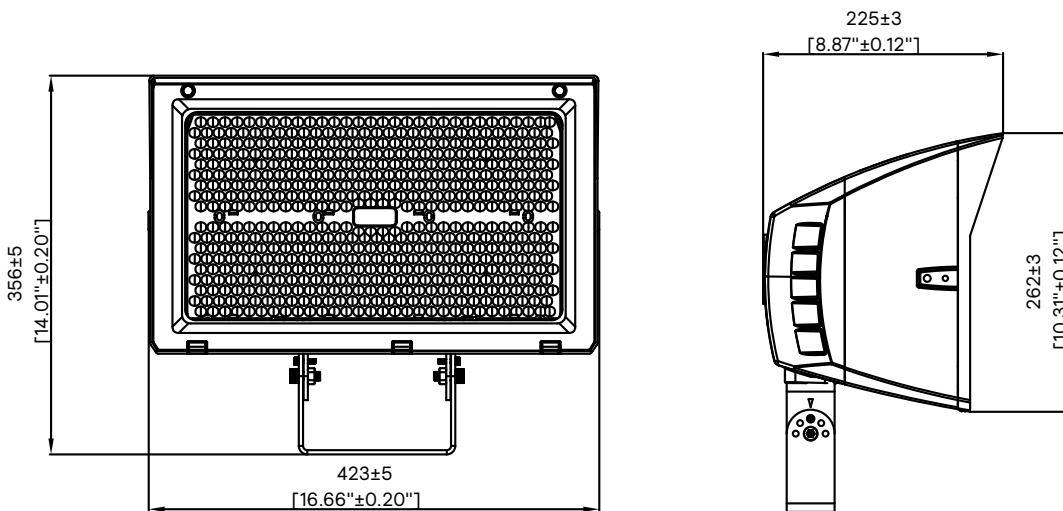
Dimensions (cont'd): 300W

### Slipfitter



300W Slipfitter  
SlimFlood 150-240-300W/3CCT/UN3/SF

### Trunnion



300W Trunnion  
SlimFlood 150-240-300W/3CCT/UN3/TN

# SF20/35/60/80/150/250/300

## SlimFlood LED dual select 20–300W

### Specifications

#### Housing and Heat Sink

Single piece aluminum alloy die cast housing.

#### Mounting

Suitable for mounting within 4' (1.2m) of the ground.

**Knuckle:** Integral die cast Aluminum adjustable knuckle ½" NPT male threads with locking teeth and bolt to lock in aiming angle. Ships fully assembled, ready to install. Knuckle mount option standard for SF20, SF35, SF60, and SF80 only.

**Yoke:** Integral structural steel adjustable Yoke for direct surface mounting, painted for resistance to corrosion, with bolt to lock in aiming angle. Ships fully assembled, ready to install. Yoke mount option standard for SF20, SF35, SF60, and SF80 only.

**Trunnion:** Integral structural steel adjustable trunnion for direct surface mounting, painted for resistance to corrosion, with bolt to lock in aiming angle. Ships fully assembled, ready to install. Trunnion mount option for SF150, SF250 and SF300 only.

**Slipfitter:** Integral die cast Aluminum adjustable slipfitter includes set screws for securing luminaire to 2-3/8" O.D. tenon, with aiming angle markings and bolt to lock in aiming angle. Ships fully assembled, ready to install. Slipfitter mount option for SF150, SF250 and SF300 only.

**Angle aiming/tilt:** -90/0/90

#### Lens

20W–300W Polycarbonate lens.

#### Light Engine

Composed of 3 main components: LED Module / Optical System / Driver. Electrical components are RoHS compliant.

#### Color Temperature

All luminaires are provided with three field selectable color temperature options: 3000K/4000K (Default)/5000K.

#### Wattage

SlimFlood dual select is provided with wattage field adjustable options.

20W/15W/10W switchable, default setting: 20W  
35/25/15W switchable, default setting: 35W  
60/45/35W switchable, default setting: 60W  
80/70/60W switchable, default setting: 80W  
150/120/100W switchable, default setting: 150W  
250/220/190W switchable, default setting: 250W  
300/240/150W switchable, default setting: 300W

#### Driver

Slim Flood dual select operates with a 120–347V; 50/60Hz Class 1 or Class 2 driver. All configurations operate with 0–10V dimming.

#### Other Integrated Features

**Photocell:** Included as standard for SF20, SF35, SF60, SF80, SF150 with an ON/OFF switch in the luminaire and included in carton for SF250 & SF300.

**Surge Protection:** Each luminaire is provided as standard with surge protection. 20–35W: 2.5KV; 60W: 6KV; 80–300W: 10KV.

**Beam Angle:** 20–300W adjustable optics - 90°/75°/55°.

#### Finish

Fade and abrasion resistant powdercoat bronze finish (RAL 8019).

#### Certifications and Compliance

cULus Listed for Canada and USA. DLC 5.1 Premium. Entire luminaire is rated for operation in ambient temperature of:

20–150W: -30°C–50°C with Photocell **on**,

20–150W: -40°C–50°C with Photocell **off**;

250–300W: -40°C–50°C

#### IP65 Rating

Entire luminaire including light engine and driver/ electrical compartment IP65 rated in all aiming positions including upward aiming floodlighting applications.

#### Limited Warranty

5-year limited warranty. See [signify.com/warranties](https://www.signify.com/warranties) for details and restrictions. Visit our eCatalog or contact your local sales representative for more information.

### Predicted Lumen Depreciation Data

Ambient Temperature °C	L <sub>70</sub> per TM21 <sup>1,2</sup>
25°C	50,000hrs

1. L<sub>70</sub> is the predicted time when LED performance depreciates to 70% of initial lumen output.

2. Calculated per IESNA TM 21-11. Published L<sub>70</sub> hours limited to 6 times actual LED test hours.