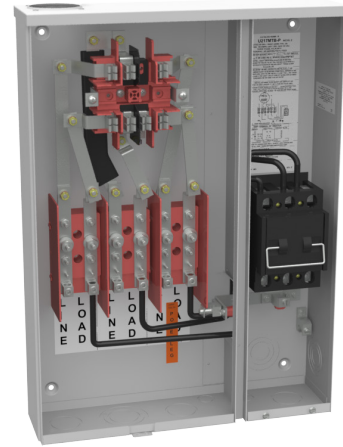




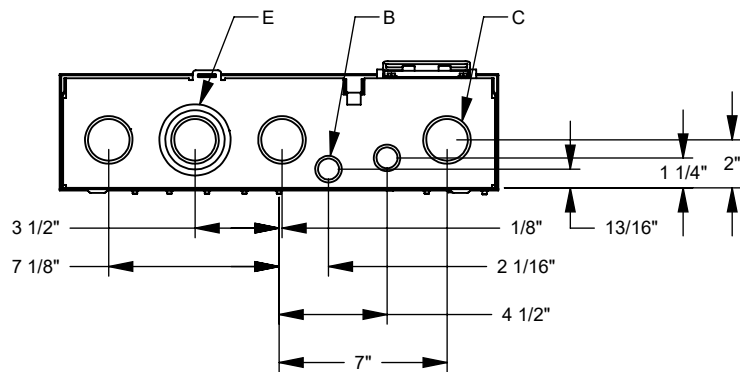
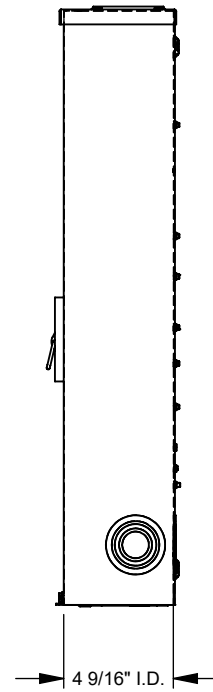
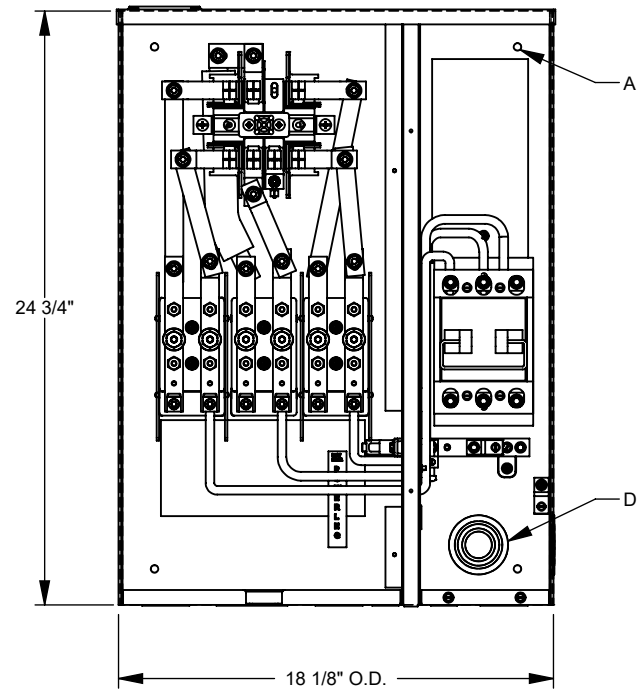
U217MTB-P



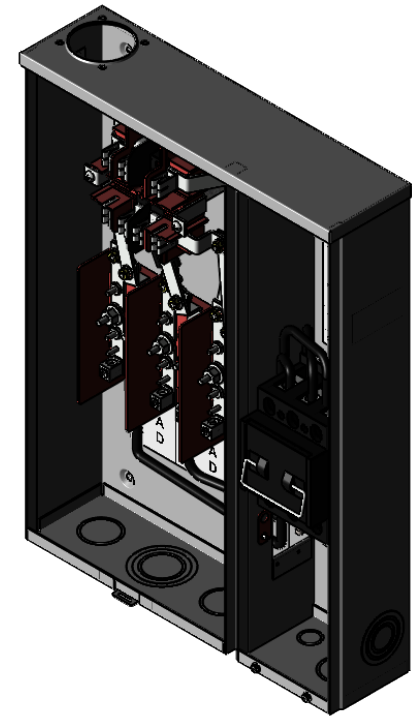
Catalog Number	U217MTB-P
Marketing Product Description	7 Terminal Ring Type Small Closing Plate Test Block Bypass 1-100 Ampere Main Pullout
UPC	784572134980
Length (IN)	4.567
Width (IN)	18.125
Height (IN)	24.75
Brand Name	Milbank
Type	Ring Type Meter Socket
Application	Meter Socket With Main
Standard	UL Listed;Type 3R
Voltage Rating	Up to 240 Volts Alternating Current
Amperage Rating	100 Continuous Ampere
Phase	3 Phase
Frequency Rating	60 Hertz
Size	4.567L x 18.125W x 24.75H
Number Of Cutouts	1
Cutout Size	One 100 Ampere Main Fuse Pull Out Switch
Cable Entry	Overhead or Underground
Terminal	Single Mechanical
Insulation	Fiberglass with Resin

Mounting	Surface Mount
Enclosure	G90 Galvanized Steel with Powder Coat Finish
Jaw Quantity	7 Terminal
Bypass Type	Test Block Bypass
Number of Meter Positions	1 Position
Equipment Ground	Ground Lug
Hub Opening	Twin Small Closing Plates
Line Side Wire Range	14 AWG - 1/0
Load Side Wire Range	14 - 1/0 AWG
Number Of Receptacles	0

Please consult serving utility for their requirements prior to ordering or installing, as specifications and approvals vary by utility and may require local electrical inspector approval. All installations must be installed by a licensed electrician and must comply with all national and local codes, laws and regulations. Milbank reserves the right to make changes in specifications and features shown without notice or obligation.



FEATURE TABLE		
ITEM	QTY	DESCRIPTION
A	4	STD. MNTG. EMBOSS
B	2	1/2, 3/4 CONC. K.O.
C	3	1/4, 1/2 CONC. K.O.
D	2	1/4, 1/2, 2 CONC. K.O.
E	1	1/4, 1/2, 2, 2 1/2 CONC. K.O.



Version:

1

**All dimensions are +/- 1/16".
Drawing views are not to scale.**

Please consult serving utility for their requirements prior to ordering or installing, as specifications and approvals vary by utility, and may require local electrical inspector approval. All installations must be installed by a licensed electrician and must comply with all national and local codes, laws and regulations. Milbank reserves the right to make changes in specifications and features shown without notice or obligation.