



MILBANK
ENERGY AT WORK

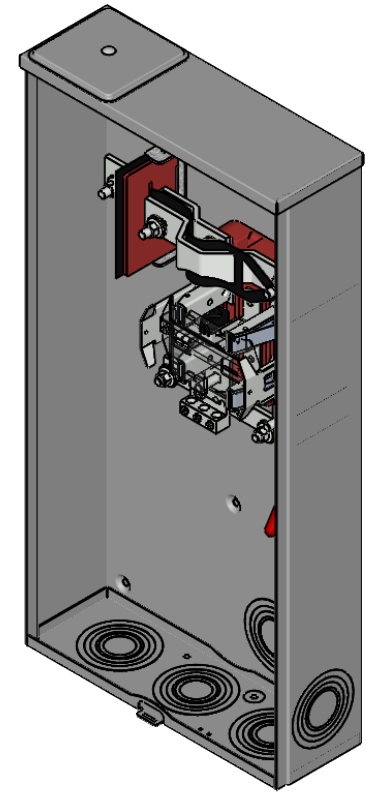
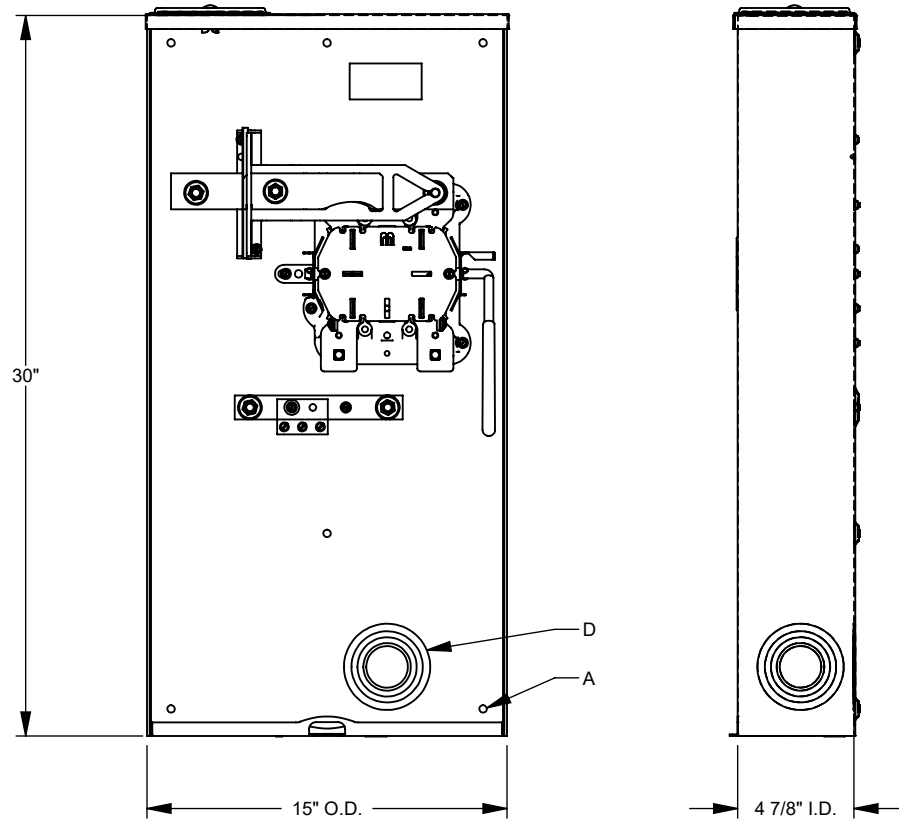
U3000-O-5T9-K3L-K2L



Catalog Number	U3000-O-5T9-K3L-K2L	Insulation	Glass Polyester
Marketing Product Description	4 Terminal Ringless Plain Top Lever Bypass 5th Terminal 9 O'clock Position Single Connector Locking 6-350kcmil Double Connector Locking 6-305kcmil	Mounting	Surface Mount
UPC	784572300491	Enclosure	G90 Galvanized Steel with Powder Coat Finish
Length (IN)	4.844	Jaw Quantity	5 Terminal
Width (IN)	15	Bypass Type	Lever Bypass
Height (IN)	30	Number of Meter Positions	1 Position
Brand Name	Milbank	Equipment Ground	3 Barrel Ground Lug
Type	Ringless Meter Socket	Hub Opening	Plain Top
Application	Meter Socket	Line Side Wire Range	4 AWG - 600 kcmil or Two 1/0 AWG - 250 kcmil
Standard	UL Listed;Type 3R	Load Side Wire Range	Two 6 AWG - 350 kcmil
Voltage Rating	600 Volts Alternating Current	Number Of Receptacles	0
Amperage Rating	320 Continuous Ampere		
Phase	1 Phase		
Frequency Rating	60 Hertz		
Size	4.844L x 15W x 30H		
Number Of Cutouts	0		
Cutout Size	No Main Breaker		
Cable Entry	Underground with Side Wireway		
Terminal	Single Mechanical		

Please consult serving utility for their requirements prior to ordering or installing, as specifications and approvals vary by utility and may require local electrical inspector approval. All installations must be installed by a licensed electrician and must comply with all national and local codes, laws and regulations. Milbank reserves the right to make changes in specifications and features shown without notice or obligation.

FEATURE TABLE		
ITEM	QTY	DESCRIPTION
A	6	U/L MNTG.EMBOSS
B	1	¼ SOLID K.O.
C	1	¼, ½ CONC. K.O.
D	5	1¼, 1½, 2, 2½, 3 CONC. K.O.



Version:

1

**All dimensions are +/- 1/16".
Drawing views are not to scale.**

Please consult serving utility for their requirements prior to ordering or installing, as specifications and approvals vary by utility, and may require local electrical inspector approval. All installations must be installed by a licensed electrician and must comply with all national and local codes, laws and regulations. Milbank reserves the right to make changes in specifications and features shown without notice or obligation.