



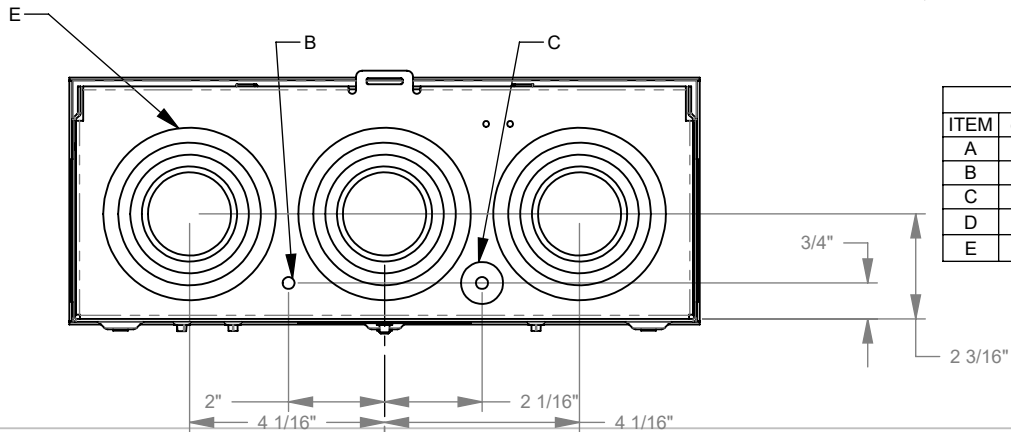
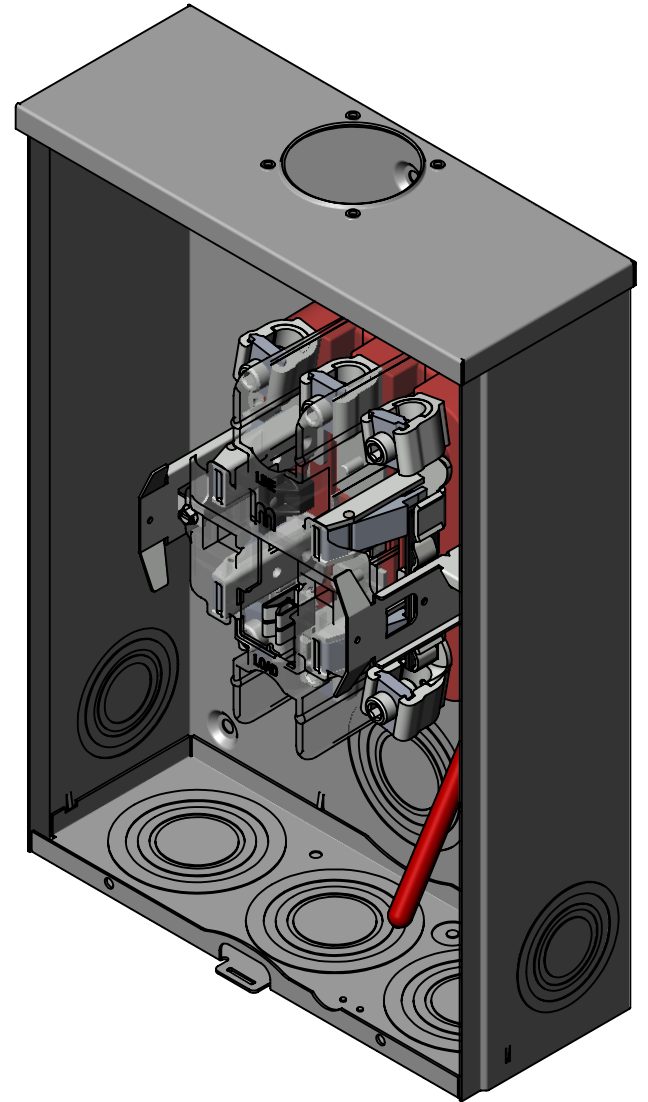
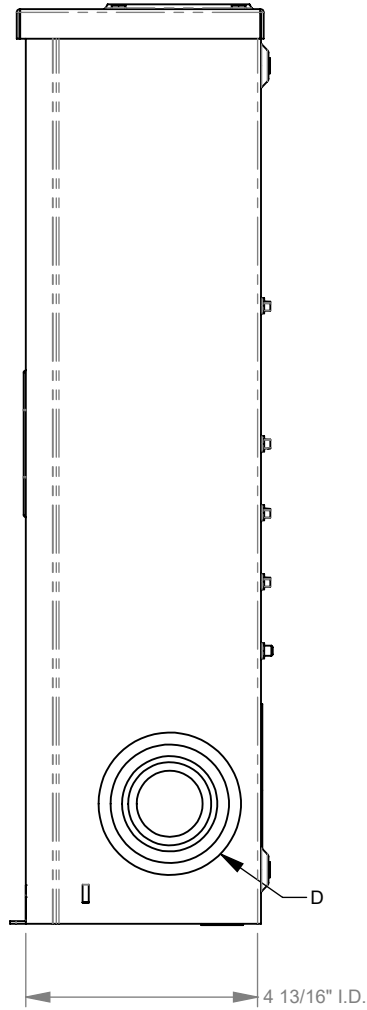
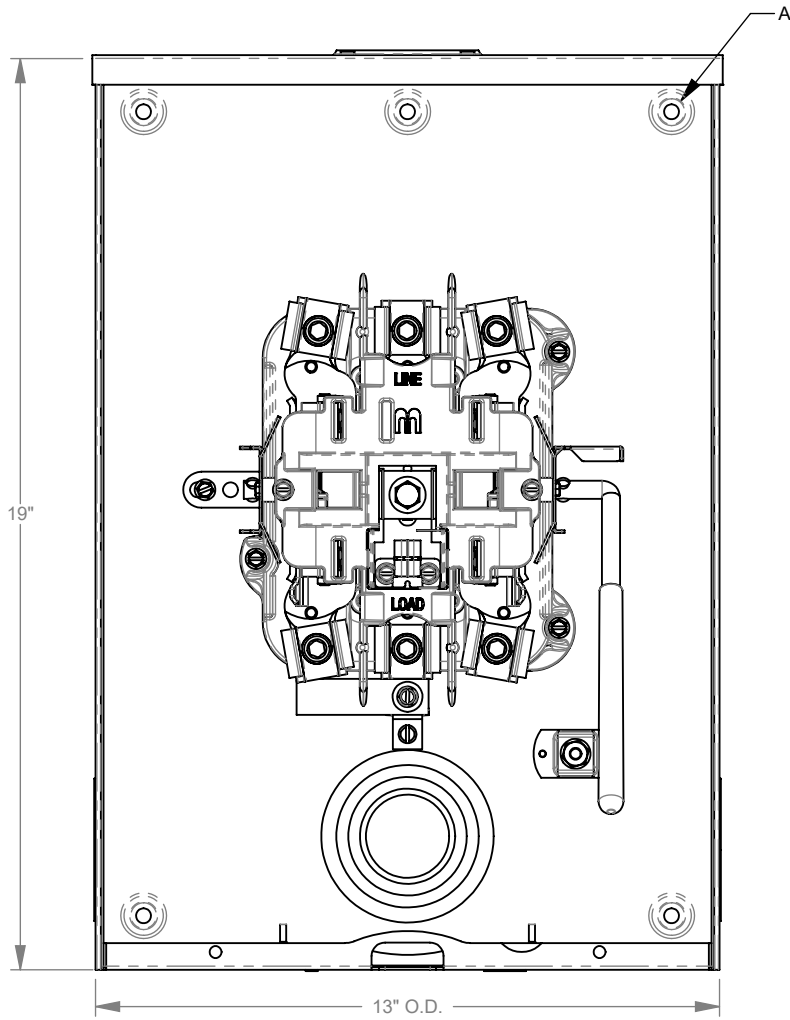
# U9581-RL-QG-BLG-AEP



Catalog Number	U9581-RL-QG-BLG-AEP
Marketing Product Description	5 Terminal Ringless Small Hub Open Quadplex Ground Lever Bypass 7-8 In Barrel Lock Ground With Bracket Provision American Electric Power
UPC	784572706545
Length (IN)	4.844
Width (IN)	13
Height (IN)	19
Brand Name	Milbank
Type	Ringless Meter Socket
Special Features	American Electric Power
Application	Meter Socket
Standard	UL Listed;Type 3R
Voltage Rating	600 Volts Alternating Current
Amperage Rating	200 Continuous Ampere
Phase	1 Phase
Frequency Rating	60 Hertz
Size	4.844L x 13W x 19H
Number Of Cutouts	0
Cutout Size	No Main Breaker
Cable Entry	Overhead or Underground
Terminal	Lay in

Insulation	Glass Polyester
Mounting	Surface Mount
Enclosure	G90 Galvanized Steel with Powder Coat Finish
Jaw Quantity	5 Terminal
Bypass Type	Lever Bypass
Number of Meter Positions	1 Position
Equipment Ground	Quadplex Ground
Hub Opening	Small Hub Opening
Line Side Wire Range	6 AWG - 350 kcmil
Load Side Wire Range	6 AWG - 350 kcmil
Barrel Lock Provision	7/8 Inch Knockout and Angle Bracket For Barrel Lock Provision
Number Of Receptacles	0

Please consult serving utility for their requirements prior to ordering or installing, as specifications and approvals vary by utility and may require local electrical inspector approval. All installations must be installed by a licensed electrician and must comply with all national and local codes, laws and regulations. Milbank reserves the right to make changes in specifications and features shown without notice or obligation.



FEATURE TABLE		
ITEM	QTY	DESCRIPTION
A	5	U/L MNTG.EMBOSS
B	1	1/4" SOLID K.O.
C	1	1/4", 1/2" CONC. K.O.
D	2	1, 1 1/4", 1 1/2", 2", 2 1/2" CONC. K.O.
E	4	1 1/4", 1 1/2", 2", 2 1/2", 3" CONC. K.O.



**MILBANK**  
ENERGY AT WORK

Version:

**1**

**All dimensions are +/- 1/16".  
Drawing views are not to scale.**

Please consult serving utility for their requirements prior to ordering or installing, as specifications and approvals vary by utility, and may require local electrical inspector approval. All installations must be installed by a licensed electrician and must comply with all national and local codes, laws and regulations. Milbank reserves the right to make changes in specifications and features shown without notice or obligation.



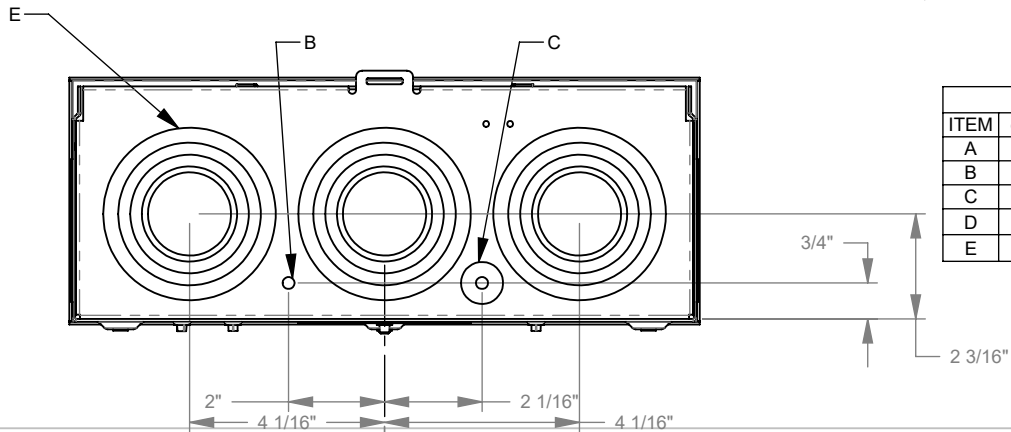
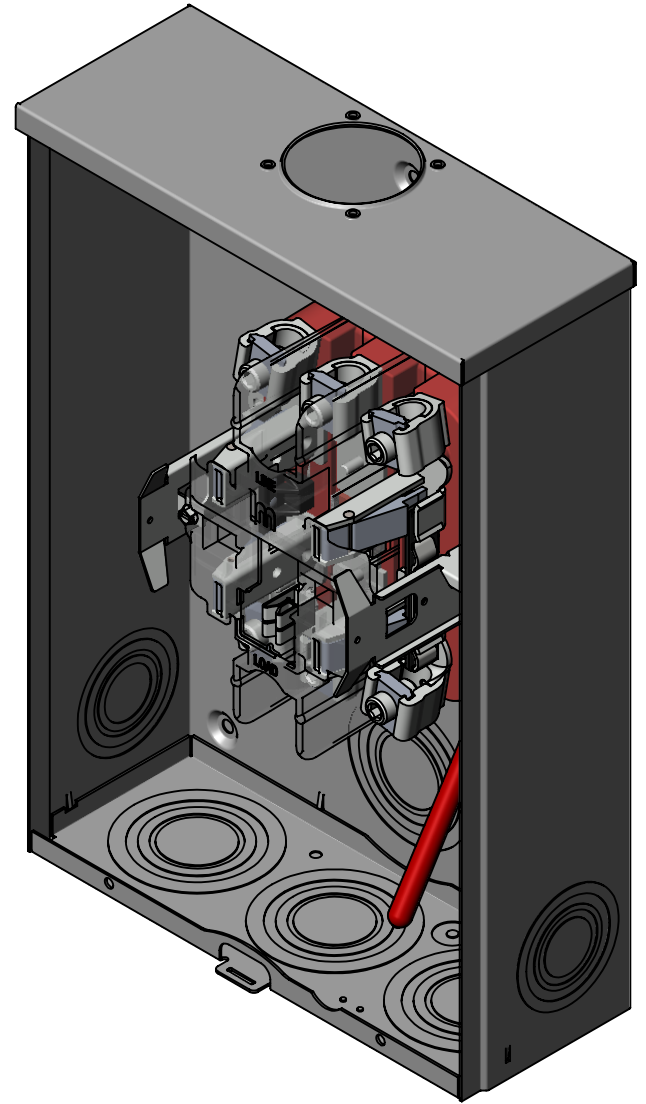
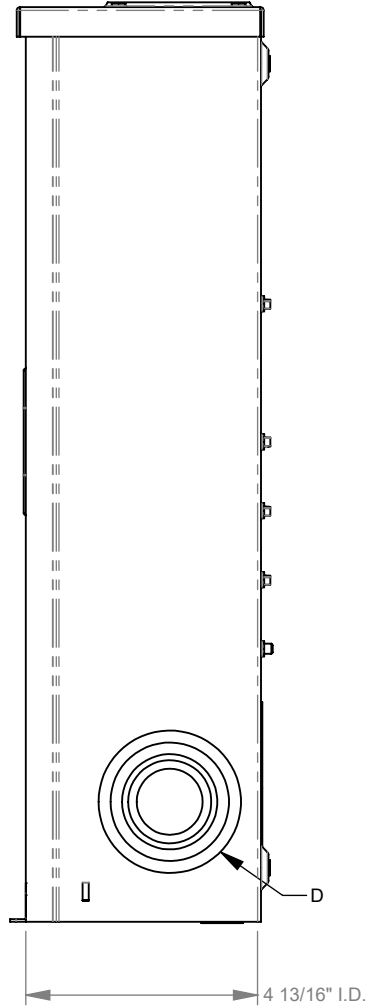
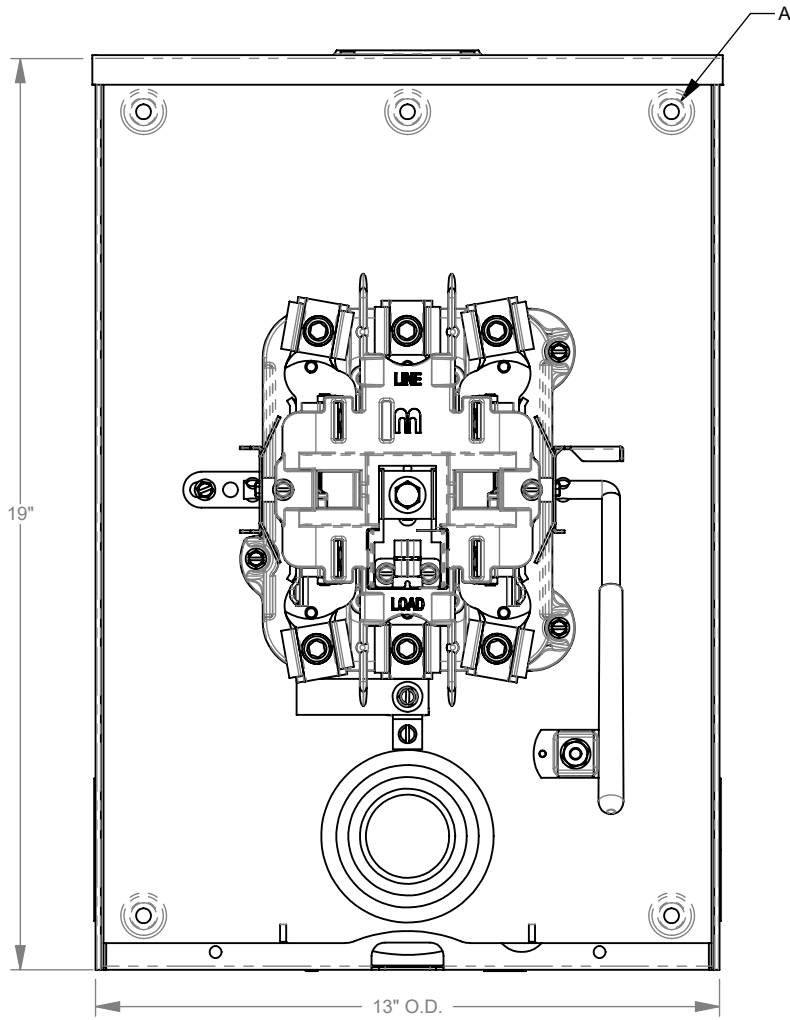
**MILBANK**  
ENERGY AT WORK

## U9581-RL-QG-BLG-AEP



Catalog Number	U9581-RL-QG-BLG-AEP	Insulation	Glass Polyester
Marketing Product Description	5 Terminal Ringless Small Hub Open Quadplex Ground Lever Bypass 7-8 In Barrel Lock Ground With Bracket Provision American Electric Power	Mounting	Surface Mount
UPC	784572706545	Enclosure	G90 Galvanized Steel with Powder Coat Finish
Length (IN)	4.844	Jaw Quantity	5 Terminal
Width (IN)	13	Bypass Type	Lever Bypass
Height (IN)	19	Number of Meter Positions	1 Position
Brand Name	Milbank	Equipment Ground	Quadplex Ground
Type	Ringless Meter Socket	Hub Opening	Small Hub Opening
Special Features	American Electric Power	Line Side Wire Range	6 AWG - 350 kcmil
Application	Meter Socket	Load Side Wire Range	6 AWG - 350 kcmil
Standard	UL Listed;Type 3R	Barrel Lock Provision	7/8 Inch Knockout and Angle Bracket For Barrel Lock Provision
Voltage Rating	600 Volts Alternating Current	Number Of Receptacles	0
Amperage Rating	200 Continuous Ampere		
Phase	1 Phase		
Frequency Rating	60 Hertz		
Size	4.844L x 13W x 19H		
Number Of Cutouts	0		
Cutout Size	No Main Breaker		
Cable Entry	Overhead or Underground		
Terminal	Lay in		

Please consult serving utility for their requirements prior to ordering or installing, as specifications and approvals vary by utility and may require local electrical inspector approval. All installations must be installed by a licensed electrician and must comply with all national and local codes, laws and regulations. Milbank reserves the right to make changes in specifications and features shown without notice or obligation.



FEATURE TABLE		
ITEM	QTY	DESCRIPTION
A	5	U/L MNTG.EMBOSS
B	1	1/4" SOLID K.O.
C	1	1/4", 1/2" CONC. K.O.
D	2	1, 1 1/4", 1 1/2", 2", 2 1/2" CONC. K.O.
E	4	1 1/4", 1 1/2", 2", 2 1/2", 3" CONC. K.O.



Version:

1

**All dimensions are +/- 1/16".  
Drawing views are not to scale.**

Please consult serving utility for their requirements prior to ordering or installing, as specifications and approvals vary by utility, and may require local electrical inspector approval. All installations must be installed by a licensed electrician and must comply with all national and local codes, laws and regulations. Milbank reserves the right to make changes in specifications and features shown without notice or obligation.