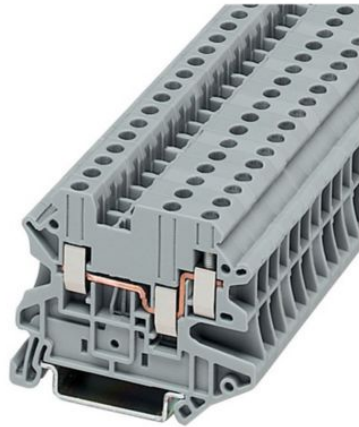


Specifications



Eaton XBUT25D12

Eaton XB IEC terminal block, Screw Connection Multi-Conductor Terminal Blocks, Gray, 12 AWG/2.5 mm² maximum wire, Three-wire

General specifications

PRODUCT NAME	Eaton XB IEC terminal block
CATALOG NUMBER	XBUT25D12
UPC	782116905096
PRODUCT LENGTH/DEPTH	1.85 in
PRODUCT HEIGHT	2.17 in
PRODUCT WIDTH	0.2 in
PRODUCT WEIGHT	0.02 lb
WARRANTY	1 year
CERTIFICATIONS	UL Listed CSA Certified



Powering Business Worldwide

Product specifications

TYPE	IEC-XB Series
AMPERAGE RATING	28A (IEC), 20A (UL)
VOLTAGE RATING	IEC 500V, UL 150V

Resources

SPECIFICATIONS AND DATASHEETS	Eaton Specification Sheet - XBUT25D12
-------------------------------	---

PROJECT NAME:

PROJECT NUMBER:

PREPARED BY:

DATE:



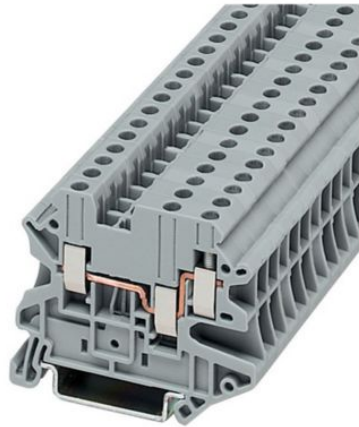
Eaton Corporation plc
Eaton House
30 Pembroke Road
Dublin 4, Ireland
Eaton.com

Follow us on social media to get the latest product and support information.



© 2025 Eaton. All Rights Reserved.

Specifications



Eaton XBUT25D12

Eaton XB IEC terminal block, Screw Connection Multi-Conductor Terminal Blocks, Gray, 12 AWG/2.5 mm² maximum wire, Three-wire

General specifications

PRODUCT NAME	Eaton XB IEC terminal block
CATALOG NUMBER	XBUT25D12
UPC	782116905096
PRODUCT LENGTH/DEPTH	1.85 in
PRODUCT HEIGHT	2.17 in
PRODUCT WIDTH	0.2 in
PRODUCT WEIGHT	0.02 lb
WARRANTY	1 year
CERTIFICATIONS	UL Listed CSA Certified



Powering Business Worldwide

Product specifications

TYPE	IEC-XB Series
AMPERAGE RATING	28A (IEC), 20A (UL)
VOLTAGE RATING	IEC 500V, UL 150V

Resources

SPECIFICATIONS AND DATASHEETS	Eaton Specification Sheet - XBUT25D12
-------------------------------	---

PROJECT NAME:

PROJECT NUMBER:

PREPARED BY:

DATE:



Eaton Corporation plc

Eaton House
30 Pembroke Road
Dublin 4, Ireland
Eaton.com

© 2025 Eaton. All Rights Reserved.

Follow us on social media to get the latest product and support information.

